

Valve automation setting parameters

DETECTION / TEST DEVICES

LIMIT SWITCH - SENSOR TYPES

SIL

ATEX

Partial Stroke Test

POSITIONERS

ACTUATORS

PNEUMATIC / HYDRAULIC / ELECTRIC

SIL

ATEX

STROKING TIMES

CONTROL PANEL TYPES & REQUERIMENTS

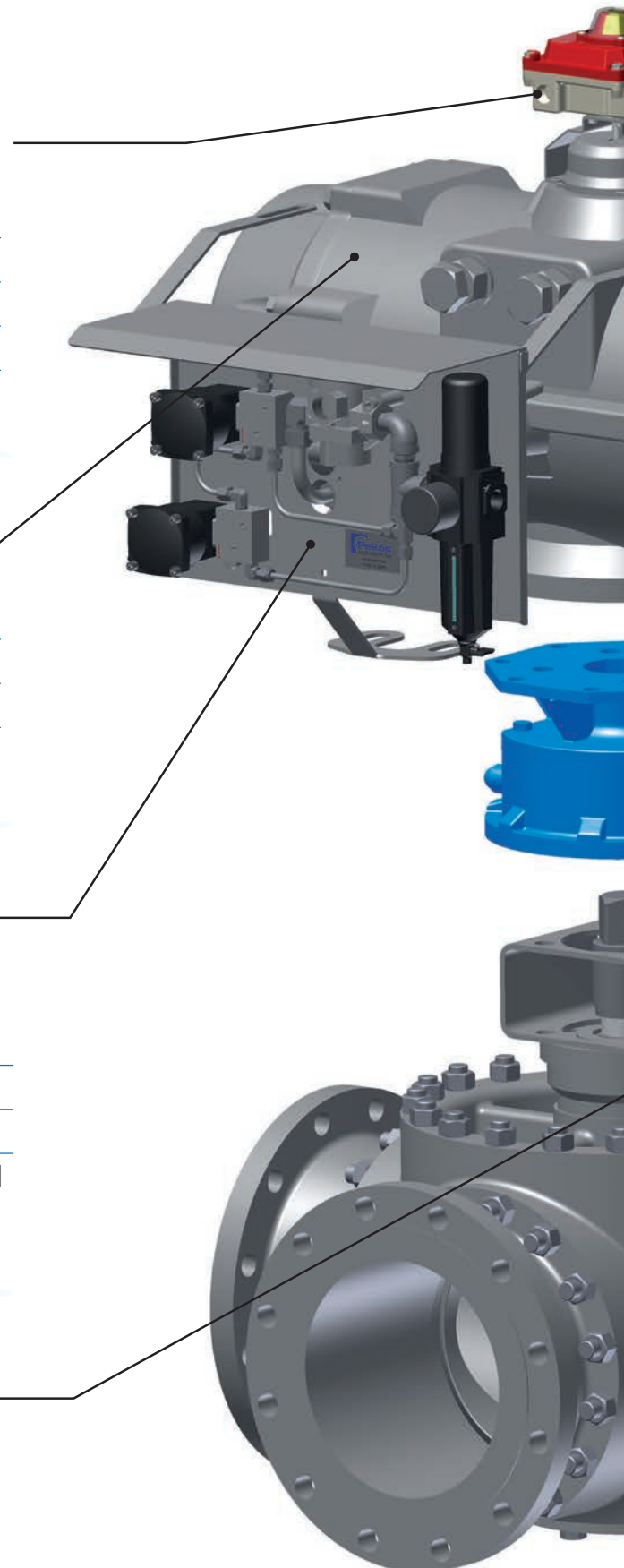
SIL

ATEX

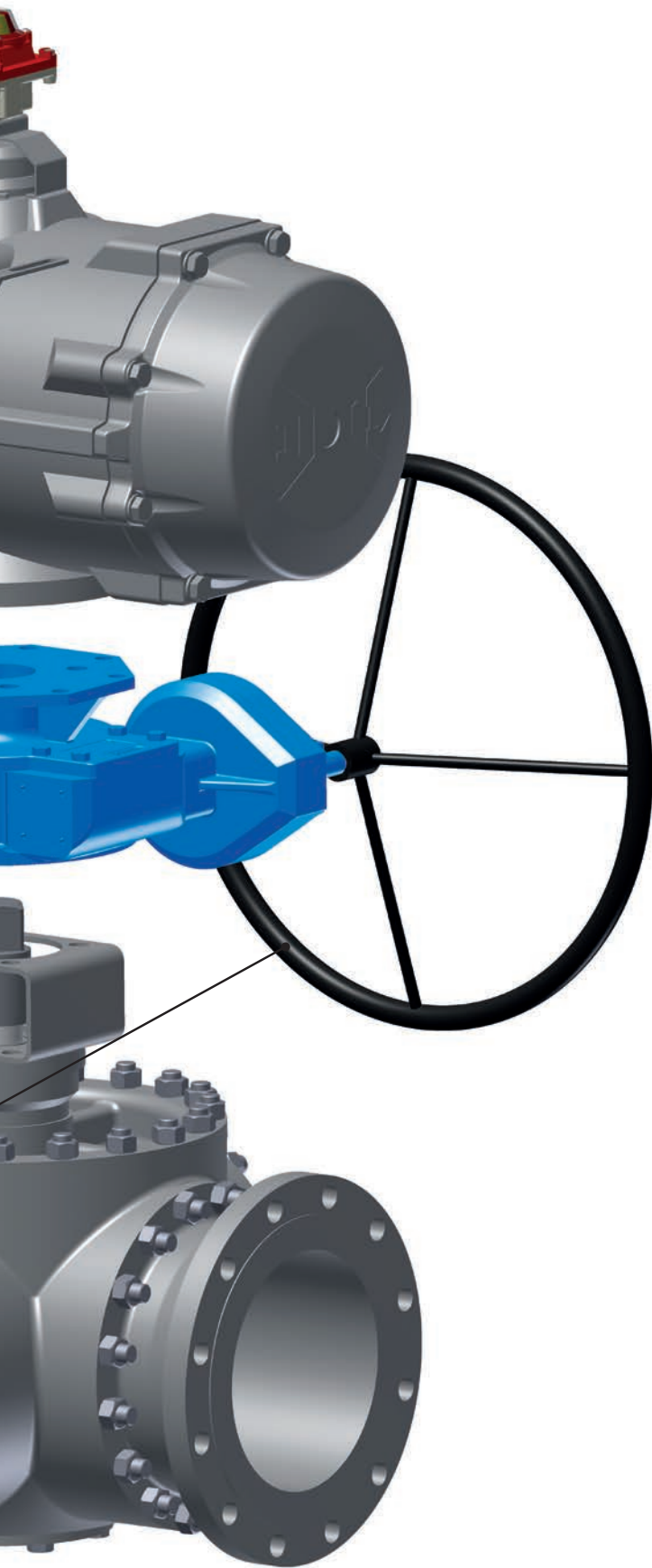
STROKING TIMES

DIFFERENT CONTROL CONFIGURATION
AVAILABLE

MANUAL OVERRIDE

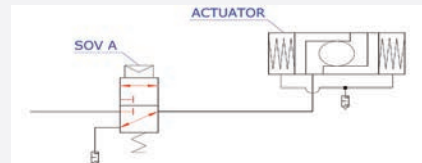


SOLENOID CONFIGURATION



1oo1 CONFIGURATION

Only 1 solenoid
3/2 Solenoid-Single Acting
5/2 Solenoid, Monostable – Double Acting

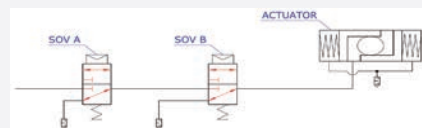


SOV A	ACTUATOR
SINGLE ACTING	
ON	OPEN
OFF	CLOSE
DOUBLE ACTING	
ON	OPEN
OFF	CLOSE

1oo2 REDUNDANT CONFIGURATION

2 solenoids connected in series - single acting
SAFETY

The air has one way to reach the actuator

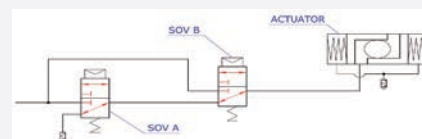


SOV A	SOV B	ACTUATOR
ON	ON	OPEN
ON	OFF	CLOSE
OFF	ON	CLOSE
OFF	OFF	CLOSE

2oo2 REDUNDANT CONFIGURATION

2 solenoids connected in parallel - single acting
AVAILABILITY

The air has two ways to reach the actuator



SOV A	SOV B	ACTUATOR
ON	ON	OPEN
ON	OFF	OPEN
OFF	ON	OPEN
OFF	OFF	CLOSE