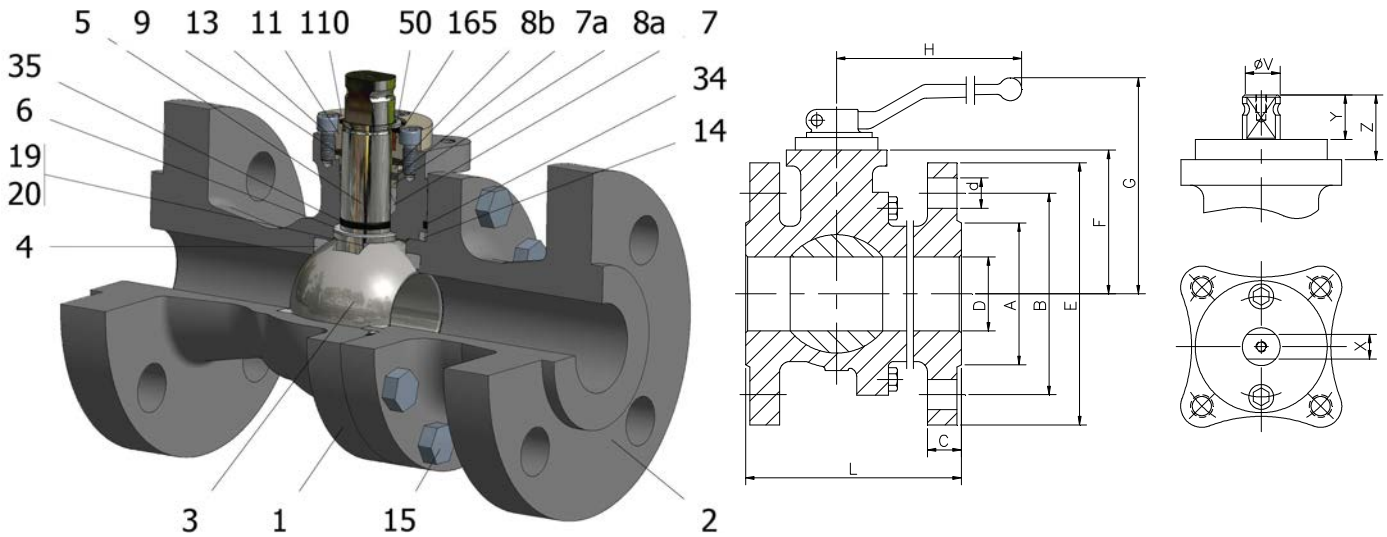


Floating ball valve, soft seat

Vanne à boisseau sphérique flottant, siège souple

FIG.Z 64 PSSGV CL600 1/2"-2"



Position	Description	Material
01	Body 1	C.S. A216 WCC
02	Body 2	C.S. A216 WCC
03	Ball	S.S. A351 CF8M
04	Seat	PEEK
05	Stem	XM-19
06	Stem seal	PEEK
07	Stem packing 1	PTFE+CG
07a	Stem packing 2	Graphite
08	Gland packing	S.S. AISI 316
08a	Gland packing 1	S.S. AISI 316
09	Spring washer	S.S. AISI 301
11	Cover	S.S. A351 CF8M
13	Cover bolt	S.S. (316)
14	Body seal 1	PTFE+CG
15	Body bolt	A193 B7M
16	Handle	WCB
17	Handle bolt	1.045(8.8)
19	Spring	S.S. AISI 316
20	Antistatic ball	S.S. AISI 316
34	Body seal 2	Graphite
35	O ring stem	FKM
50	Subjection ring	S.S. AISI 420
110	Subjection ring seal	S.S. AISI 316 Nitrided
165	Stem bearing	PTFE+FG

General features

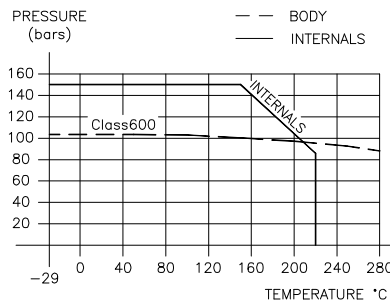
Floating ball.
Split body.
Full bore.
Soft seat.
Bidirectional.
Anti Blow out proof stem.
Autoadjustable packing.
Anti static device.
Self-cavity pressure relief.

Standards

Top flange ISO 5211
Flanges ANSI B16.5
Face to face ANSI B16.10
Testing API 598, API 6D, BS 6755-1
Design API 6D, B16.34
Materials according to NACE MR0175

Official approvals

CERTIFICATE FIRE SAFE
TA-LUFT
ATEX 2014/34/UE
API 6D.
PED 97/23/CE.
SIL 3 CAPABLE
EN 161/EN ISO 23553-1



PEKOS GROUP CERTIFICATES:



DIMENSIONS & Technical information

DN	CL	D	L	E	A	B	C	F	H	G	V	X	Y	Z	n x d	ISO 5211	Torque	MAST	Weight
1/2"	600	15	165	95	35	67	21	53	185	104	14	11	11	13,5	4 x 16	F05	24	175,2	7,7
3/4"	600	20	190	115	43	83	24	61	185	112	14	11	11	13,5	4 x 19	F05	34	175,2	8,5
1"	600	25	216	125	51	89	25	61	185	112	18	14	17	19,5	4 x 19	F05	60	175,2	9,2
1 1/2"	600	40	241	155	73	114	30	76	300	130	22	17	20	30	4 x 22	F07	137	464,1	13,8
2"	600	50	292	165	92	127	32	83	300	137	22	17	20	30	8 x 19	F07	234	464,1	18,8

** Depending on service conditions.

* Dimensions are in mm.

* Torque & MAST are in Nm

* Weight is in Kilogram

* Torque values have been measured ΔP at maximum rating at room temperature