

1900/65A General Purpose Equipment Monitor

Datasheet

Bently Nevada Machinery Condition Monitoring

Description

The 1900/65A General Purpose Equipment Monitor is designed to continuously monitor and protect equipment that is used in a variety of applications and industries. The monitor's low cost makes it an ideal solution for general-purpose machines and processes that can benefit from continuous monitoring and protection.



Inputs

The 1900/65A provides four transducer inputs and four temperature inputs. Software can configure each transducer input to support 2- and 3-wire accelerometers, velocity sensors or proximity sensors. Each temperature input supports Type E, J, K, and T thermocouples, and 2- or 3-wire RTDs.

Outputs

The 1900/65A provides six relay outputs, four 4-20 mA recorder outputs, and a dedicated buffered output. The user can use the 1900 Configuration software to configure the relay contacts to open or close according to the OK, Alert and Danger statuses of any channel or combination of channels, and to provide data from any variable from any channel on any recorder output. The dedicated buffer output can provide the signal for each transducer input.

A Modbus Gateway option allows the monitor to provide static variables, statuses, event list, time and date information directly to any Modbus client, including Distributed Control Systems (DCSs), Supervisory Control and Data Acquisition (SCADA) systems, Programmable Logic Controllers (PLCs), or System 1 software. The monitor uses an internal counter and a Modbus client/master time reference to generate time and date information. Users can upgrade monitors without the Modbus Gateway by ordering the 1900/01 Communications Upgrade (see the Ordering Information section). The 1900/65A



Baker Hughes 

Bently Nevada

Your distributor / Votre distributeur
FRANCE +33 (0) 650 590 965
CAMEROUN +237 6 52 12 70 95



@sales: ventes@fr-eps.com
@logistics: logistique@fr-eps.com
www.fr-eps.com

supports Modbus communications via Ethernet and a software-configurable RS232/485 serial port.

Configuration

The user defines monitor operation and the Modbus Gateway register map by using software running on a laptop or PC to create a configuration file and download the file to the monitor through the built-in Ethernet connection. The 1900/65A permanently stores configuration information in non-volatile memory, and can upload this information to the PC for changes.

Display Module

The 1900/65A supports an optional display/keypad to view channel information or make minor configuration changes. This allows the 1900/65A to operate as a stand-alone package. If desired, the user can mount the display up to 75 metres (250 feet) from the Monitor Module.

Specifications

Inputs

Transducer Inputs

Users can configure Channels 1 through 4 to accept input from acceleration, velocity or displacement transducers.

Transducer Channel Types

Channel Types define the functionality for processing that will be applied to an input signal and the kind of variables or measurement values that will be derived from this input. Channel Types also define the kind of sensor that must be used. Transducer Channel Types include:

- Acceleration or Reciprocating Acceleration
- Velocity or Reciprocating Velocity
- Radial Vibration (shaft vibration)
- Thrust (shaft axial displacement)
- Position
- Speed

Acceleration and Reciprocating Acceleration Channel Types

The Acceleration Channel Type and Reciprocating Acceleration Channel Type support two- and three-wire acceleration sensors. The Reciprocating Acceleration channel type has timed OK channel defeat disabled.

Acceleration Variables and Reciprocating Acceleration Variables

Acceleration Variables and Reciprocating Acceleration Variables are filtered and processed measurements from raw transducer signals. The Acceleration Channel Type and Reciprocating Acceleration Channel Type continuously

processes up to four variables per channel.

Vibration	Up to three bandpass filtered amplitude measurements.
Acceleration Enveloping	Users can apply the acceleration enveloping algorithm to one Acceleration or Reciprocating Acceleration Variable.
Bias Voltage	Users may assign the value of the transducer bias voltage to any of the variables.

Configuration Options

Each variable is independently configured with the following options.

Vibration Variables	<ul style="list-style-type: none"> • Peak or RMS • Metric or English units • Filter corner frequencies • Full scale range • Acceleration integrated to velocity
Enveloped Variable	<ul style="list-style-type: none"> • Filter corner frequencies • Standard or Enhanced demodulation

Filters

Vibration Variable	0.5 Hz – 25 kHz configurable 4-pole high-pass, 4-pole low-pass
Enveloping High-Pass	25 Hz to 5 kHz, configurable 4-pole
Enveloping Low-Pass	125 Hz to 25 kHz, configurable 2-pole
Enveloped Variable High-Pass	0.1 Hz min., but greater than Enveloped Variable low-pass 2-pole
Enveloped Variable Low-Pass	Greater than Enveloped Variable high-pass and less than Enveloping high-pass 4-pole
Bias Filter	0.01 Hz 1-pole low-pass
OK Filter	2.4 kHz 1-pole low-pass

Full Scale Range

Vibration	20 to 500 m/s ² (2 to 50 g) peak
-----------	---

	and RMS
Enveloped	20 to 500 m/s ² (2 to 50 g) peak and RMS
Integrated	10 to 100 mm/s (0.4 to 4 in/s) peak and RMS
Bias Voltage	-24 V

Accuracy

Vibration Variables	±1% of full scale range
---------------------	-------------------------

Input Impedance

3-wire Voltage Mode	10 kΩ
---------------------	-------

Velocity and Reciprocating Velocity Channel Type

The Velocity Channel Type and Reciprocating Velocity Channel Type support two-wire and three-wire piezo-velocity sensors.

Velocity Variables and Reciprocating Velocity Variables

Velocity Variables and Reciprocating Velocity Variables are filtered and processed measurements from raw transducer signals. The Velocity Channel Type and Reciprocating Velocity Channel Type support up to four continuously calculated variables per channel.

Vibration	Up to three bandpass filtered amplitude measurements.
Bias Voltage	Users may assign the value of the transducer bias voltage to any of the variables.

Configurable Options

Each variable is independently configured with the following options.

Vibration Variables	<ul style="list-style-type: none"> • Peak or RMS • Metric or English
---------------------	--

	units <ul style="list-style-type: none"> • Filter corner frequencies • Full-scale range • Velocity integrated to displacement
--	--

Filters

Vibration Variables	0.5 Hz to 5.5 kHz, configurable 8-pole high-pass, 4-pole low-pass
Bias Filter	0.09 Hz 1-pole low-pass
OK Filter:	2.4 kHz 1-pole low-pass

Full Scale Range

Vibration	10 to 50 mm/s (0.5 to 2 in/s) peak and RMS
Integrated	100 to 500 μm (5 to 20 mils) peak to peak
Bias Voltage	-24 V

Accuracy

Vibration Variables	±1% of full scale range
---------------------	-------------------------

Input Impedance

3-Wire Voltage Mode	10 kΩ
---------------------	-------

Radial Vibration Channel Type

The Radial Vibration Channel Type measures radial shaft motion using proximity sensors.

Radial Vibration Variables

Radial Vibration Variables are filtered and processed measurements from raw transducer sensors. The Radial Vibration Channel Type supports up to four continuously calculated variables per channel.

Direct	Up to three bandpass filtered amplitude measurements
Gap	Gap voltage
Vibration	Up to three bandpass filtered amplitude measurements

Configurable Options

Each variable is independently configured with the following options.

Vibration Variables	<ul style="list-style-type: none"> Metric or English units Filter corner frequencies Number of filter poles Full-scale range
---------------------	--

Filters

Direct Filter 1	4 to 4000 Hz (240 to 240,000 RPM)
Direct Filter 2	1 to 600 Hz (60 to 36,000 RPM)
Direct Filter Characteristics	High-pass set by attack and decay, 1-pole low-pass
Gap Filter	0.09 Hz 1-pole low-pass
Vibration Variables	0.5 Hz to 4 kHz, configurable 1-, 2-, or 4-pole high-pass and low-pass, configurable
OK Filter	2.4 kHz 1-pole low-pass

Full Scale Range

Direct	100 to 500 μm (3 to 20 mils) peak-to-peak
Gap	-24 V

Accuracy

Vibration Variables	$\pm 1\%$ of full-scale range
---------------------	-------------------------------

Input Impedance

Non-configurable	10 k Ω
------------------	---------------

Thrust Channel Type

The Thrust Channel Type measures axial shaft motion using proximity sensors.

Thrust Variables

Thrust Variables are filtered and processed measurements from raw

transducer signals.

Position	Axial position of shaft
Gap	Gap, voltage or position

Configurable Options

Each variable is independently configured with the following options.

Position Variables	Metric or English units Full-scale range
--------------------	---

Filters

Direct Filter:	1.2 Hz 1-pole low-pass
Gap Filter	0.41 Hz 1-pole low-pass
OK Filter:	2.4 kHz 1-pole low-pass

Full Scale Range

Position	1 to 4 mm (50 to 150 mils) span with adjustable zero position
Gap	-24 V

Accuracy

Position Variables	$\pm 1\%$ of full-scale range
--------------------	-------------------------------

Input Impedance

Non-configurable	10 k Ω
------------------	---------------

Position Channel Type

The Position Channel Type measures mechanical motion using proximity sensors.

Position Variables

Position Variables are filtered and processed measurements from raw transducer signals.

Position	Mechanical position
Gap	Gap, voltage or position

Configurable Options

Each variable is independently configured with the following options.

Position Variables	Metric or English units
	Full- scale range

Filters

Direct Filter	1.2 Hz 1-pole low-pass
Gap Filter	0.41 Hz 1-pole low-pass
OK Filter	2.4 kHz 1-pole low-pass

Full Scale Range

Position	1 to 28 mm (50 to 1100 mils) span with adjustable zero position.
Gap	-24 V

Accuracy

Position Variables	±1% of full scale range
--------------------	-------------------------

Input Impedance

Non-configurable	10 kΩ
------------------	-------

Speed Channel Type

The Speed Channel Type measures speed using proximity sensors.

Speed Variables

Speed Variables are filtered and processed measurements from raw transducer signals.

Speed	Up to 4 speed measurements
Gap	Gap, voltage

Configurable Options

Each variable is independently configured with the following options:

Gap Filter	0.09 Hz 1-pole low-pass
OK Filter	2.4 kHz 1-pole low-pass

Full Scale Range

Speed	100 - 100,000 rpm
-------	-------------------

Events Per Revolution

EPR	0.001 to 1000
-----	---------------

Accuracy

Speed Variables:	± 0.5 RPM + 0.015% of reading
------------------	-------------------------------

Input Impedance

Non-configurable	10 kΩ
------------------	-------

Temperature Inputs (Ch. 5 – 8)

Channels 5 through 8 support Type E, J, K, and T thermocouples, and 2- and 3-wire RTDs.

Temperature Variable

Temperature variables are processed measurements from raw transducer signals. The temperature channel type processes one temperature variable per channel.

Configurable Options

Each Variable is independently configured with the following options.

Units	°C or °F
-------	----------

Filters

Analog Filter	50 Hz 1-pole, low-pass
Digital Filter	Notch filter will attenuate the first 5 orders of 50 Hz and 60 Hz (49 Hz to 61 Hz) by a minimum of 100 dB.

Full Scale Range

Type E	-200 to 1000 °C (-328 to 1832 °F)
Type J	-210 to 1200 °C (-346 to 2192 °F)
Type K	-200 to 1370 °C (-328 to 2498 °F)
Type T	-200 to 400 °C (-328 to 752 °F)
10 Ω Cu α=0.00427	-200 to 260 °C (-328 to 500 °F)

1900/65A General Purpose Equipment Monitor Datasheet

120 Ω Ni $\alpha=0.00672$	-80 to 260 °C (-112 to 500 °F)
100 Ω Pt $\alpha=0.00385$:	-200 to 850 °C (-328 to 1562 °F)
100 Ω Pt $\alpha=0.00392$:	-200 to 700 °C (-328 to 1292 °F)

Accuracy

All Thermocouple Types	± 1 °C (± 1.8 °F) typical @ 25 °C (77 °F) ± 2.5 °C (± 4.5 °F) maximum for thermocouple measurements over -100 °C (148 °F) ± 5 °C (± 9 °F) maximum for thermocouple measurements below -100 °C (-148 °F)
3-Wire RTD (except 10 Ω Cu)	± 1.5 °C (± 2.7 °F) + 0.5 % full scale
3-Wire RTD 10 Ω Cu	± 3 °C (± 5.4 °F) + 0.5 % full scale
2-wire RTD Types	2-wire RTDs have additional errors due to field wire resistance and variations in the field wire resistance due to changes in ambient temperature.

Input Impedance

Thermocouple Inputs	>1 M Ω
---------------------	---------------

Alarm Status Time Delays

Position/ Vibration Inputs

Minimum	0.1 second
Maximum	60 seconds
Adjustment Resolution	0.1 second

Temperature / Speed Inputs

Minimum	1 second
Maximum	60 seconds
Adjustment Resolution	0.1 second

Relays

Relay Logic

The 1900/65A monitor has six relay outputs that users can program to open

or close contacts according to user-defined logic statements. Logic statements use the OK, Alert and Danger statuses of any channel, or combination of channels as inputs.

Logical Operators

AND	bypassed channels ignored
True AND	bypassed channels included
OR	

Logical Operands

Monitor Inhibit
Monitor Not OK
Monitor Danger
Monitor Alert
Channel Not OK
Channel Danger
Channel Alert
Variable Danger
Variable Alert

Maximum Operands

50 per relay

Relay Configuration

The following configuration options are independent of the relay logic and can be configured for each relay:

- Latching or non-latching independent of alarm status
- Normally energized or normally de-energized
- Normally open and normally closed via contacts

Relay Specifications

Type

Single pole, double throw (SPDT)

Contact Ratings

Minimum Switched Current	12Vdc/100mA
--------------------------	-------------

DC specifications (resistive load)

Maximum Switched Current	5 A
Maximum Switched Power	70W @ 24 Vdc
	10W @ 48 Vdc
	9W @ 60 Vdc
Maximum Switched Voltage	60 Vdc

AC specifications (resistive load)

Maximum Switched Current	5 A
Maximum Switched Power	150 VA
Maximum Switched Voltage	30 Vac



Refer to Hazardous Area Special Considerations Section for Relay specifications when used in hazardous area applications.

Contact Life

100,000 cycles @ 5 A, 250 Vac
200,000 cycles @ 1 A, 24 Vdc

Sealing

Epoxy

Insulation Resistance

1000 MΩ minimum @ 500 Vdc

Inhibit, Reset, and Trip Multiply Inputs

Inhibit/Trip Multiply

Users can use software to configure the Inhibit/Trip Multiply input as either Inhibit or Trip Multiply.

When configured for Trip Multiply short-circuiting the Inhibit/Trip Multiply contact to RTN will increase Alert and Danger set points.

When configured for Inhibit the Inhibit input will inhibit (bypass or inactivate) Alert and Danger statuses. Short circuiting the INHIBIT contact to INHIBIT RTN will:

- Set all Variable Danger Statuses to logic 0
- Set all Variable Alert Statuses to logic 0
- Set Bypass and Inhibit Statuses to logic 1



Monitor Alarm Inhibit switch, and Monitor Trip Multiply switch mapped in the Modbus Gateway will remotely inhibit **Alert** and **Danger** statuses or activate **Trip Multiply** respectively.

Electrical

Activate Inhibit	50 kΩ or less (shorted)
De-activate Inhibit	500 kΩ or greater (open)

Reset

Use the Reset input to reset all latched alarms and latched relays. If the condition driving the status no longer exists, short-circuiting the RESET contact to RESET RTN will:

- Reset all latched Alert statuses
- Reset all latched Danger statuses
- Reset all latched Not OK statuses
- Reset all latched relays



Writing a non-zero value to the Modbus register **Reset Latched Statuses** mapped in the Modbus Gateway will reset the monitor remotely.

Electrical

Activate Reset	50 kΩ or less (shortened)
De-activate Reset	500 kΩ or greater (open)

Transducer Supplies

All outputs are short-circuit protected.

Two-Wire Current Mode

Current Source	3.3 mA \pm 5%
Open Circuit Voltage	21 to 24 Vdc

Three-Wire Voltage Mode

Supply Voltage	-24.02 Vdc to -23.47 Vdc
Maximum Rated Current	15 mA
Short Circuit Current	15.1 mA to 23.6 mA

4-20 mA Interface

Number of Outputs	Four outputs, any of which may be configured to provide data from any channel and any variable.
Proportional Value	4 to 20 mA values are proportional to the channel full-scale.
Loop Supply Voltage	18 to 36 Vdc
Loop Resistance	600 Ω maximum
Accuracy	2% over operating temperature range
Update Rate	100 mS
Resolution	10 mA
Clamp Current	2 mA \pm 10% (configurable for Not OK and Bypass)

Buffered Outputs

Display Module

A single buffered output on the Display Module provides access to input Channels 1 through 4. The signal does not have gain, and is not scaled. This output is buffered to provide short circuit and EMI protection.

Output Impedance	550 Ω
Bandwidth	40 kHz minimum (Display Module attached directly to Monitor) 8 kHz minimum (75 m (250 ft.) of

	cable)
--	--------

Monitor Module

Each input for channels 1 through 4 has a dedicated buffered output. The signal does not have gain, and is not scaled. Each output is buffered to provided short circuit and EMI protection.

Output Impedance	550 Ω
Bandwidth	40 kHz minimum

Indicators

Monitor Module

Status LED	Indicates when the monitor is functioning properly.
------------	---

Display Module

OK LED	Indicates when the monitor is functioning properly.
Alert LED	Indicates an Alert condition.
Danger LED	Indicates a Danger condition.
Bypass LED	Indicates that the monitor is in Bypass mode.
Trip Multiply LED	Indicates that the monitor is in Trip Multiply mode.
Channel LED	Indicates channel is active.
Display	Liquid Crystal Display (LCD) with backlight
Dimensions	68.6 mm (2.7 in) wide x 35.6 mm (1.4 in) high

Power Requirements

Input Voltage Range	18 to 36 Vdc
Operating Current	0.35 A typical, 1.0 A maximum
Operating Power	8.5 W typical, 14 W maximum

Physical

Monitor Module

Dimensions (L x W x H)	196.9 mm x 149.4 mm x 74.4 mm (7.75 in x 5.88 in x 2.93 in)
Weight	0.77 kg (1.70 lb)

Display Module

Dimensions (L x W x H)	196.9 mm x 149.4 mm x 32.8 mm (7.75 in x 5.88 in x 1.29 in)
Weight	0.40 kg (0.89 lb)

Mounting

DIN Rail Option	35 mm DIN rail
Bulkhead Option	Bulkhead mounting plate
Weatherproof Enclosure Option	NEMA 4X/IP66 Fiberglass Housing with window, 300.2 mm x 249.4 mm x 209.8 mm (11.82 in x 9.82 in x 8.26 in)

Configuration Software

The 1900 Configuration Software package contains everything necessary to install, configure, and maintain the 1900/65A monitor.

- Feature tools for installing and troubleshooting
- Simple display to help with configuration
- Ability to browse network for 1900 monitors
- Network configuration
- Configuration for channels, variables, setpoints, tag names, recorders and filters
- Configuration for the optional Modbus Gateway
- Configuration for relays and relay voting logic
- Off-line configuration allowing use of software when hardware is not available
- Firmware upgrade function and diagnostics

- Change bypass modes and setpoints on the fly
- Display component for statuses and variables
- Display Hardware Identification and manufacturing information
- Context-specific help

Environmental

Temperature

Operating	-20 to +70 °C (-4 to +158 °F)
Storage	-30 to +90 °C (-22 to +194 °F)

Humidity


Operating	95% non-condensing, maximum
Storage	95% non-condensing, maximum

Supported Transducers

Channel Type	Bently Nevada Transducer
Acceleration and Reciprocating Acceleration	330400 Accelerometer
	330425 Accelerometer
Velocity and Reciprocating Velocity	190501 Velomitor
	330500 Velomitor
	330525 Velomitor
	330750 Velomitor
Radial Vibration, Thrust, and Speed	3300 5 & 8 mm Proximitor System
	3300 XL 8mm Proximitor System
	3300 XL 11mm Proximitor System
	3300 XL NSv Proximitor System
	7200 5 & 8mm Proximitor System
	7200 11mm Proximitor System
	7200 14 mm Proximitor System

1900/65A General Purpose Equipment Monitor Datasheet

Position	3300 5 & 8 mm Proximitor System
	3300 XL 8mm Proximitor System
	3300 XL 11mm Proximitor System
	3300 XL 25mm Proximitor System
	3300 XL 50mm Proximitor System
	3300 XL NSv Proximitor System
	7200 5 & 8mm Proximitor System
	7200 11mm Proximitor System
7200 14 mm Proximitor System	

 The 1900/65A provides default configuration settings for Bently Nevada transducers. The user can configure the 1900/65A to accept other transducers.

Compliance and Certifications

FCC

This device complies with part 15 of the FCC Rules. Operation is subject to the following two conditions:

- This device may not cause harmful interference.
- This device must accept any interference received, including interference that may cause undesired operation.

EMC

EN 61000-6-2: 2005

EN 61000-6-4: 2007 +A1:2001

EMC Directive 2014/30/EU

Electrical Safety

EN 61010-1: 2010

LV Directive 2014/35/EU

ATEX

EN 60079-0: 2012

EN 60079-15: 2010

ATEX Directive 2014/34/EU

RoHS

RoHS Directive 2011/65/EU

Maritime

ABS 2009 Steel Vessels Rules

1-1-4/7.7,4-8-3/1.11.1,4-9-7/13

Hazardous Area Approvals



For the detailed listing of country and product specific approvals, refer to the *Approvals Quick Reference Guide* (108M1756) available from www.Bently.com.

This monitor is not certified for installation in Class 1 Div 1 locations, but it will support transducers installed in Div 1 locations via the use of galvanic isolators and barriers. If galvanic isolators are used, no change is necessary to the installation. A removable ground jumper allows the monitor to support zener barrier installations. Removing the jumper will disconnect circuit common from chassis at the monitor so that chassis can be connected at the barrier.

CSA/NRTL/C

Ex/ AEx nA nC IIC Gc:

Class I, Zone 2:

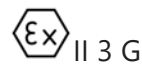
Class I, Division 2, Groups A, B, C, and D

T4 @ $-20^{\circ}\text{C} \leq T_a \leq +70^{\circ}\text{C}$

Vn = 18 to 36 Vdc @ I_{max} = 1A

per drawing 173089

ATEX/IECEX



II 3 G
Ex nAC IIC T4 Gc

T4 @ $T_a = -20^{\circ}\text{C} \leq T_a \leq +70^{\circ}\text{C}$

Special Considerations

- Hazardous area installations require relay contact voltages below 30 Vac rms, or 30 Vdc to minimize hazard.
- Hazardous area installations require relay contact amperages below 5 Amps DC, or AC to minimize hazard.

Ordering Information

For a detailed listing of country- and product-specific approvals, refer to the *Approvals Quick Reference Guide* (document 108M1756) available from www.bentley.com.

1900/65A General Purpose Equipment Monitor

1900/65A-AA-BB-CC-DD-EE

00	None
01	Modbus communicationsw

A: Power Option

00	18 to 36 Vdc
00	110 to 220 Vac @ 50 to 60 Hz (external supply)

B: Display Option

00	No display
01	Attached display (no cable)
02	Display with 10' PVC cable
03	Display with 10' unassembled PVC cable
04	Display with 10' TEF cable
05	Display with 10' unassembled TEF cable

C: Mounting Option

00	None
01	DIN rail mount
02	Bulkhead Mount
03	Fiberglass NEMA 4X/IP66 WP housing with window in door
04	1900/55 replacement kit (See "1900/65A General Purpose Equipment Monitor" above)*
07	ProTIM Housing, Wiring and Mounting Hardware See "ProTIM Housing Dimensions" on page 21



* Uses existing 1900/55 weather-proof housing and requires power option A01 (110/220 Vac to 24 Vdc external power supply)

D: Approvals Options

00	None
01	Multiple approvals



See Hazardous Areas Approvals section for specific certifications. Maritime approvals included with all approval options.

E: Communications Option

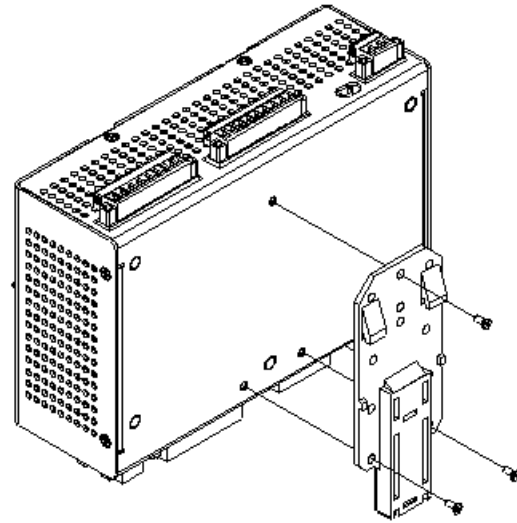


Figure 1: DIN Rail Mount

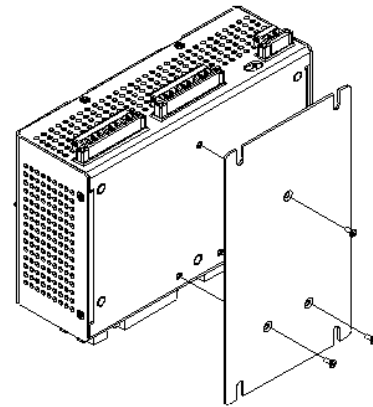


Figure 2: Bulkhead Mount

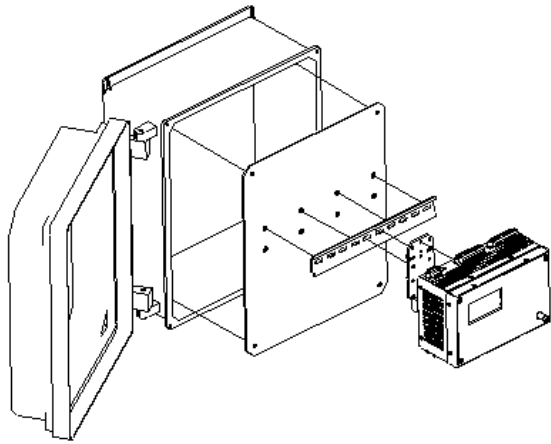


Figure 3: NEMA 4X/IP66 WP Housing

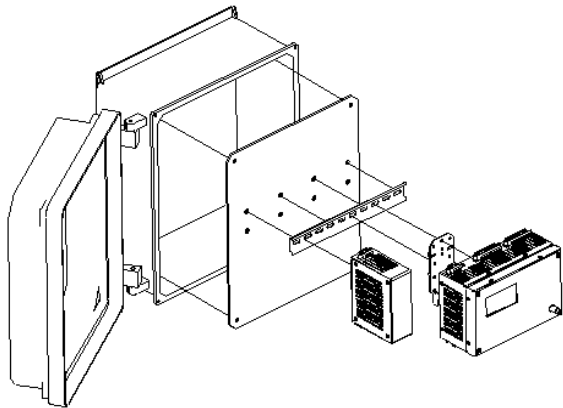


Figure 4: 1900/55 Replacement Kit

1900/01 – 1900/65A General Communications Monitor, Communications Upgrade

1900/01-AA-BB-CC-DD

A: Order Type Option

01	New order (CD, key, and binder)
98	Replacement licenses (key)
99	Configuration Software only (CD)

B: Communications Option

01	Modbus comm.
----	--------------

C: License Key Type Option

00	None
01	USB license key

D: License Key Type Option

XX	Total Licenses (1 to 99)
----	--------------------------

Graphs and Figures

Note: All dimensions shown in millimeters (inches) except as noted.

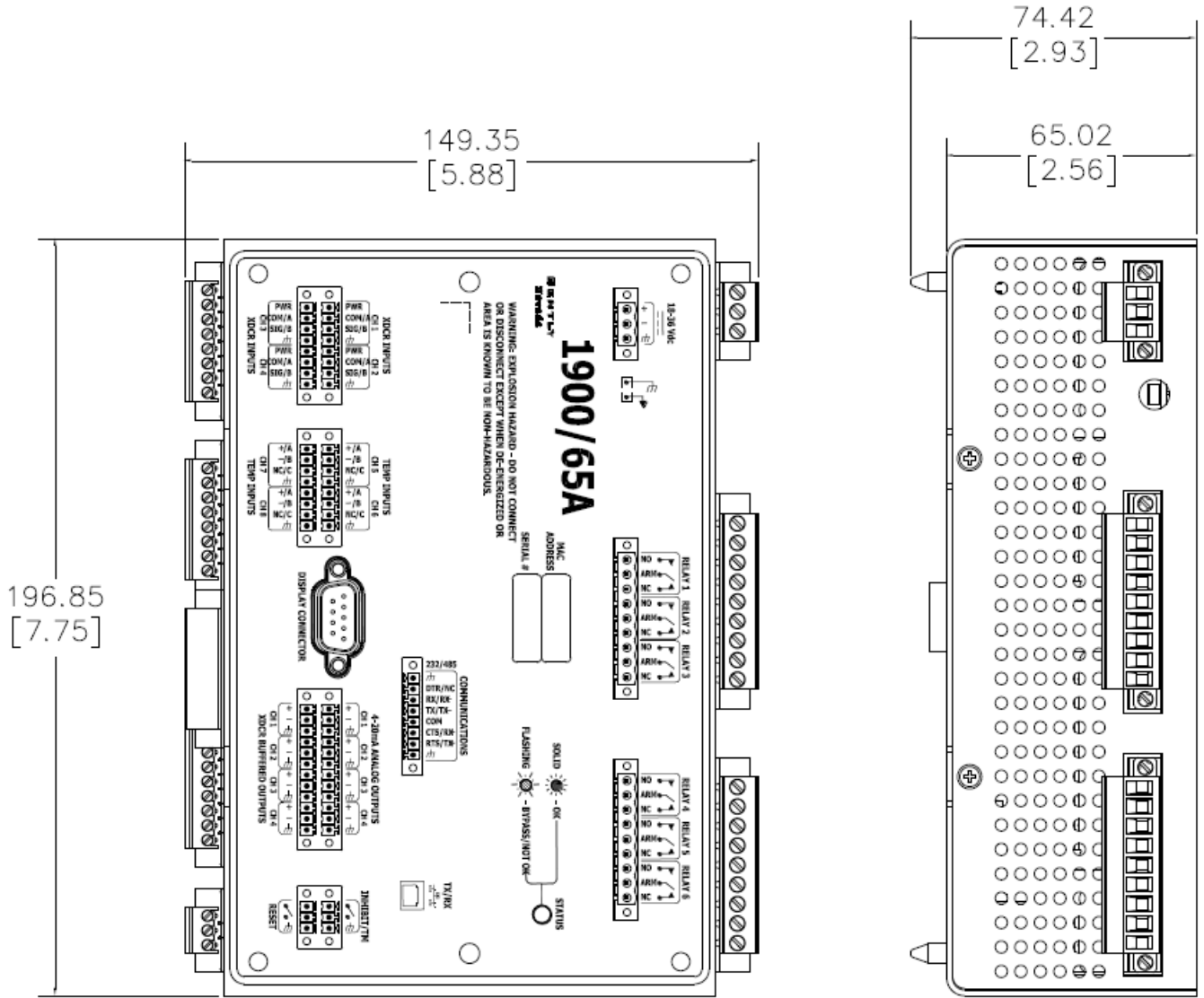


Figure 1: Monitor Module Dimensions

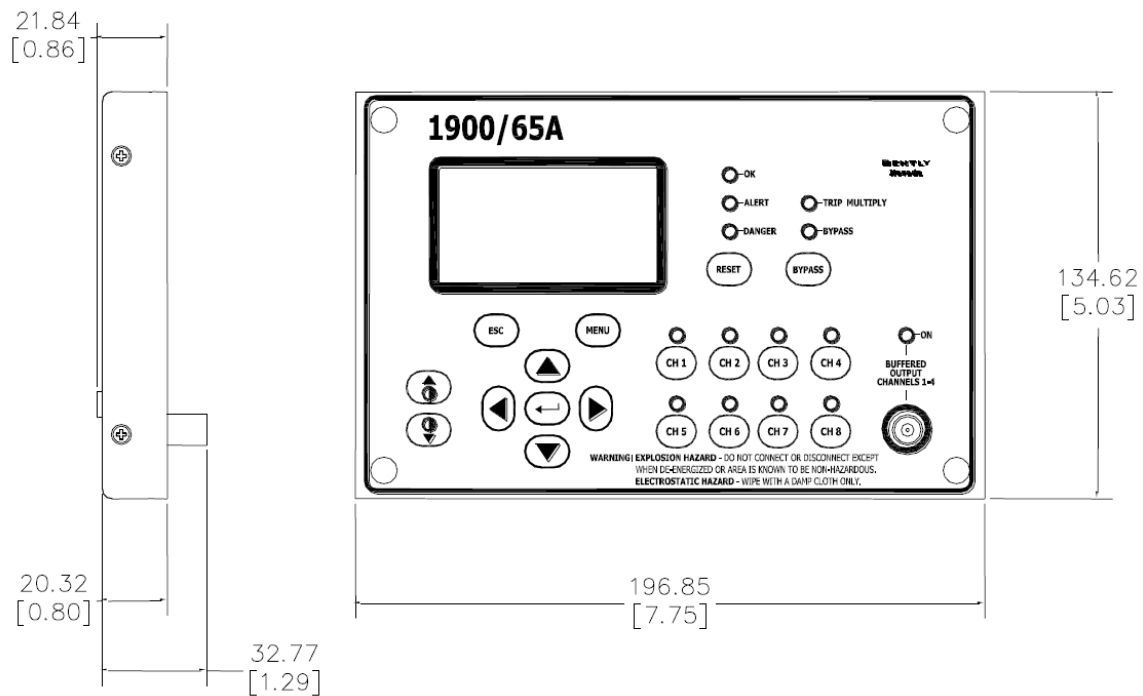


Figure 2: Display Module Dimensions

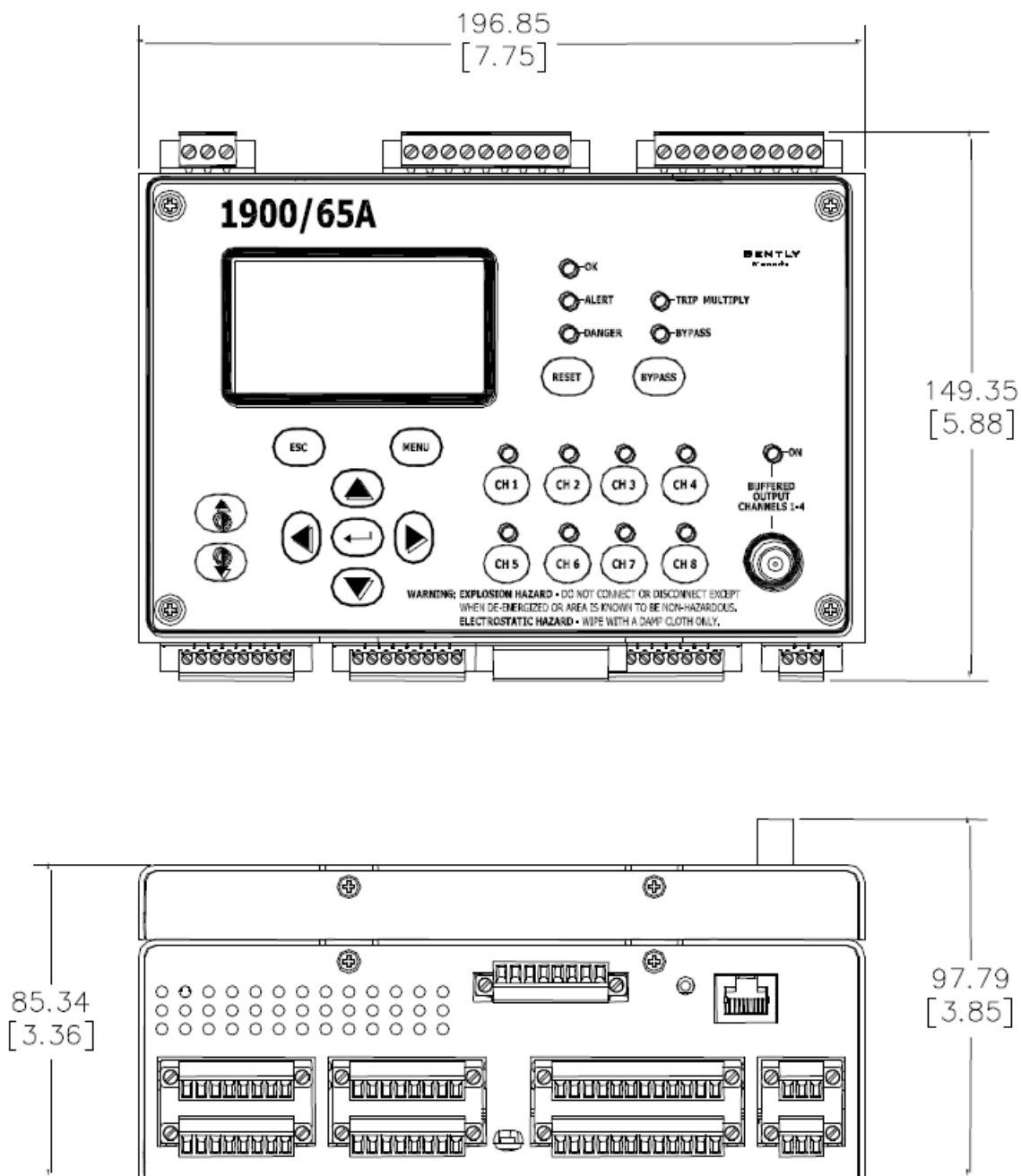


Figure 3: Combined Dimensions

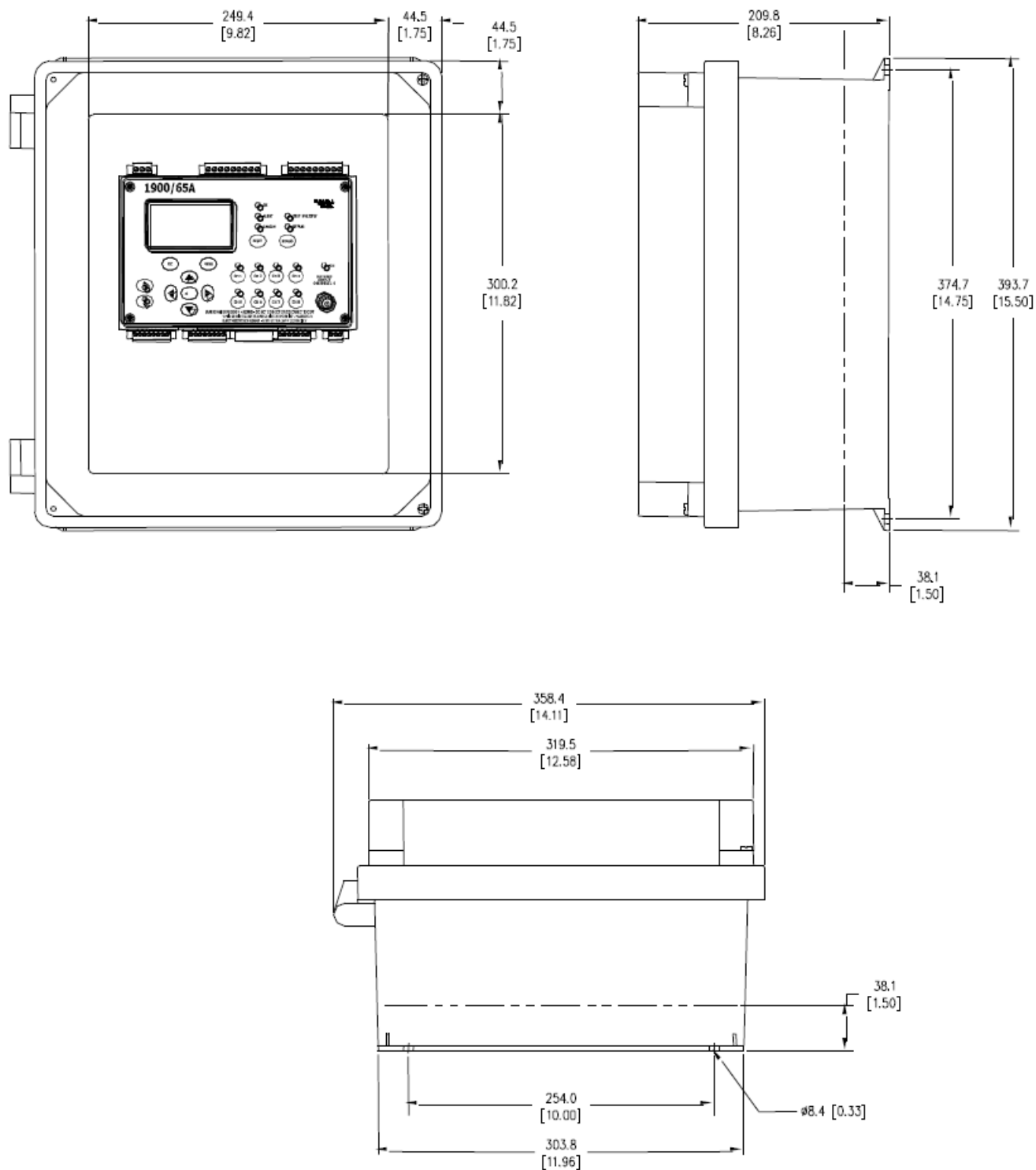


Figure 4: Weatherproof Housing Dimensions

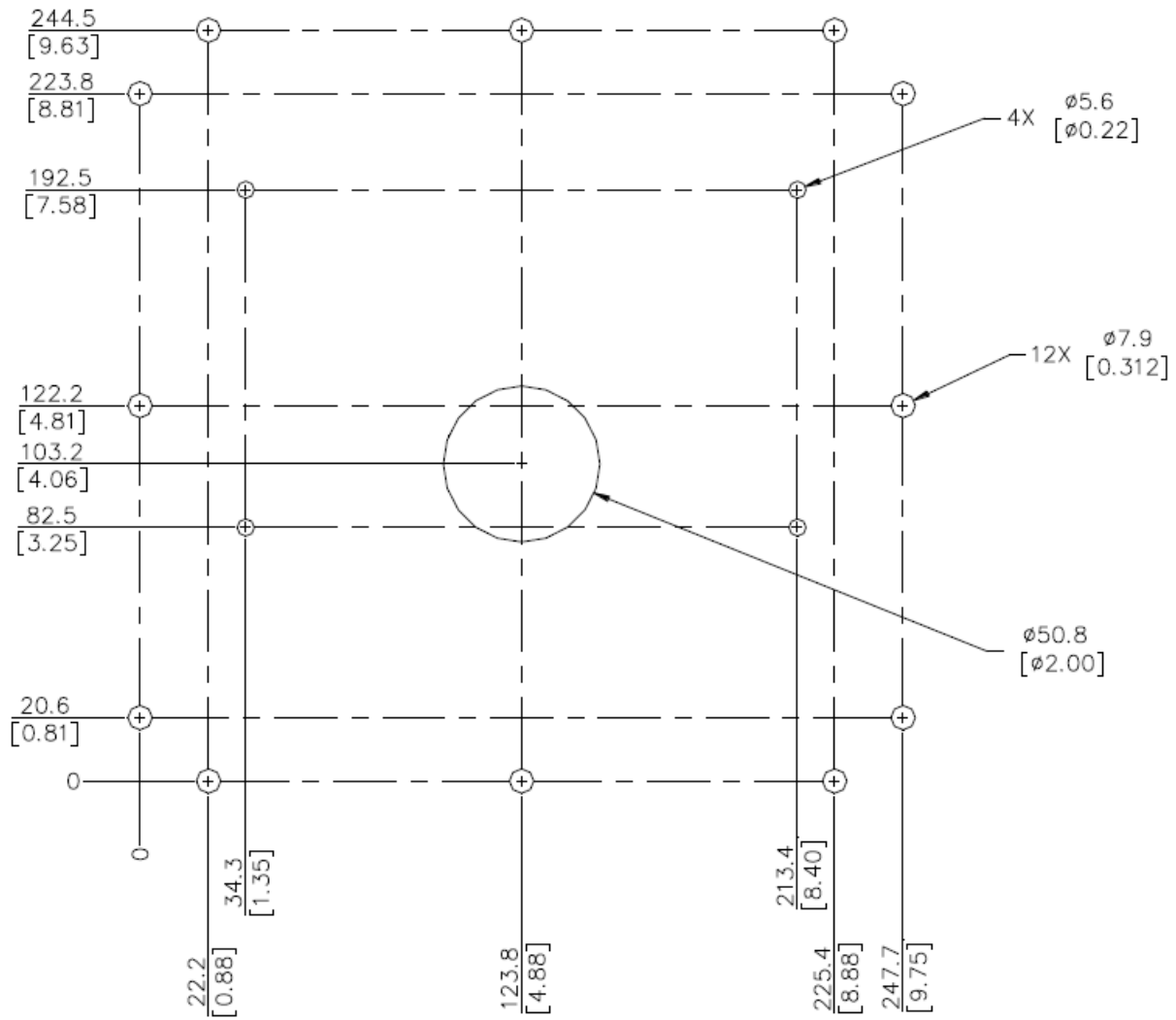


Figure 5: Weatherproof Door Drill Pattern

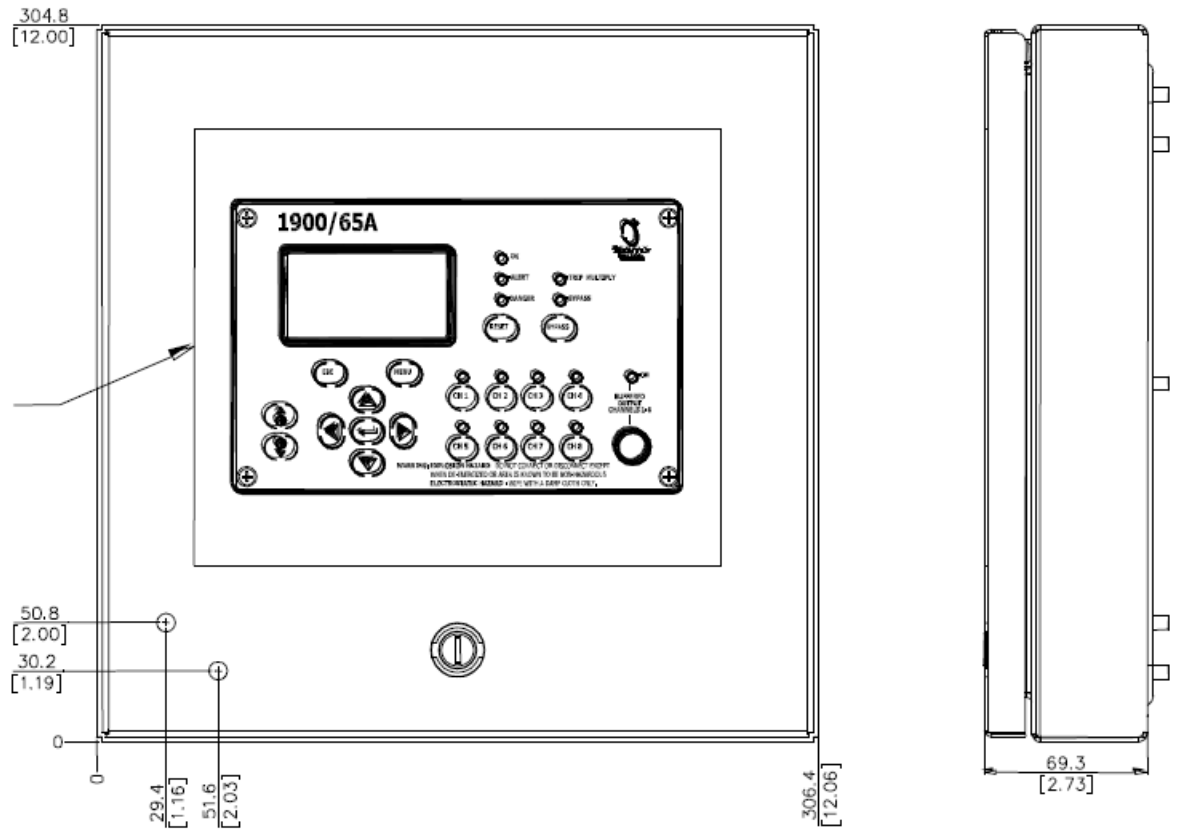


Figure 6: Weatherproof Door Dimensions

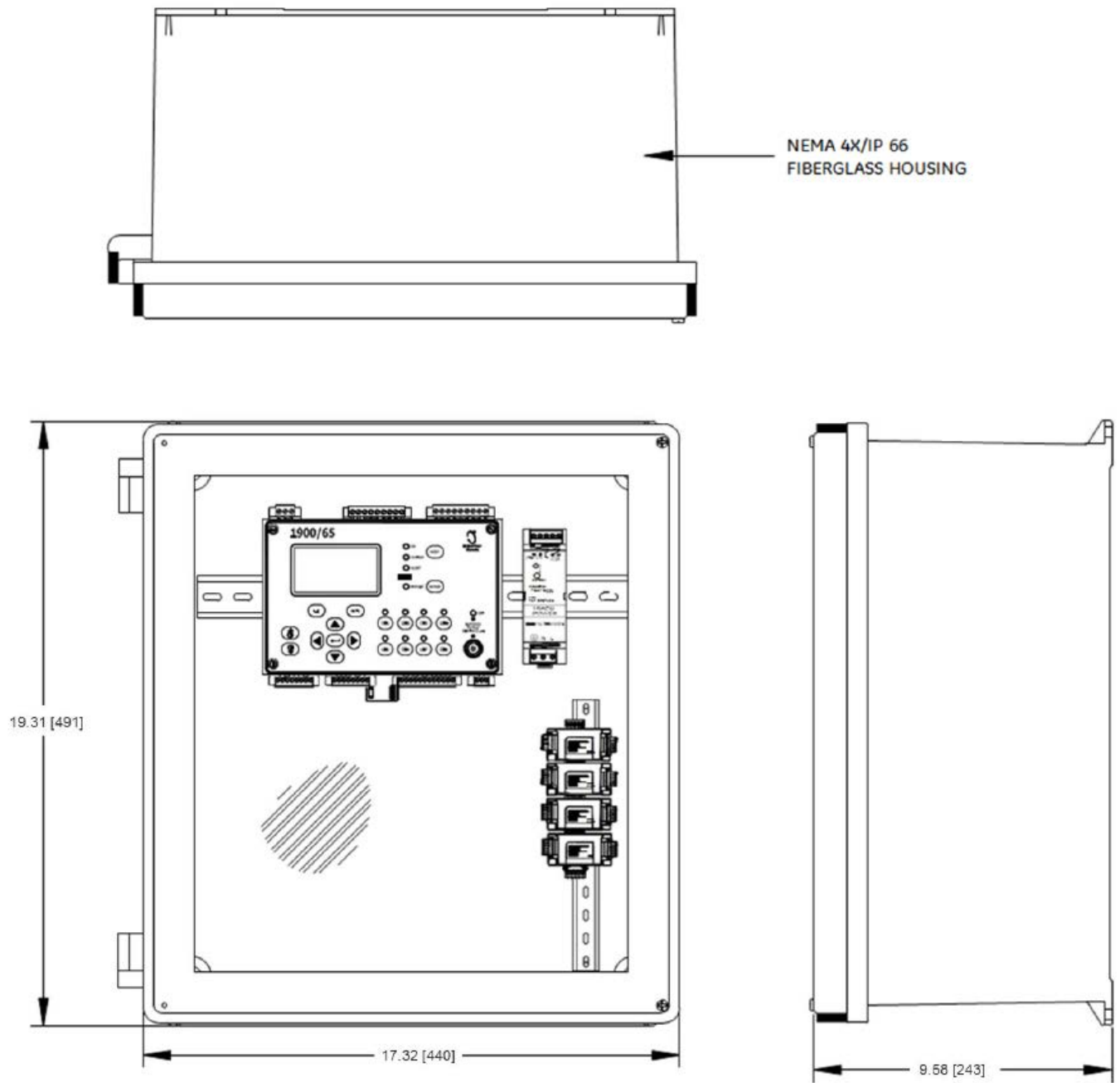


Figure 7: ProTIM Housing Dimensions

Copyright 2019 Baker Hughes, a GE company, LLC ("BHGE") All rights reserved.

Bently Nevada, Orbit Logo, Proximitor, Velomitor and System 1 are registered trademarks of BHGE in the United States and other countries. All product and company names are trademarks of their respective holders. Use of the trademarks does not imply any affiliation with or endorsement by the respective holders. This product may be covered by one or more patents, please see Bently.com/legal for current status. The information contained in this document is subject to change without prior notice.

1631 Bently Parkway South, Minden, Nevada USA 89423
Phone: 1.775.782.3611 Bently.com



Bently Nevada

Your distributor / Votre distributeur
FRANCE +33 (0) 650 590 965
CAMEROUN +237 6 52 12 70 95



@sales: ventes@fr-eps.com
@logistics: logistique@fr-eps.com
www.fr-eps.com
