

GE Oil & Gas

Masoneilan\*

# 8007/8008 Series

Electro-pneumatic Transducers

Parts Supplement Information



THESE INSTRUCTIONS PROVIDE THE CUSTOMER/OPERATOR WITH IMPORTANT PROJECT-SPECIFIC REFERENCE INFORMATION IN ADDITION TO THE CUSTOMER/OPERATOR'S NORMAL OPERATION AND MAINTENANCE PROCEDURES. SINCE OPERATION AND MAINTENANCE PHILOSOPHIES VARY, GE (GENERAL ELECTRIC COMPANY AND ITS SUBSIDIARIES AND AFFILIATES) DOES NOT ATTEMPT TO DICTATE SPECIFIC PROCEDURES, BUT TO PROVIDE BASIC LIMITATIONS AND REQUIREMENTS CREATED BY THE TYPE OF EQUIPMENT PROVIDED.

THESE INSTRUCTIONS ASSUME THAT OPERATORS ALREADY HAVE A GENERAL UNDERSTANDING OF THE REQUIREMENTS FOR SAFE OPERATION OF MECHANICAL AND ELECTRICAL EQUIPMENT IN POTENTIALLY HAZARDOUS ENVIRONMENTS. THEREFORE, THESE INSTRUCTIONS SHOULD BE INTERPRETED AND APPLIED IN CONJUNCTION WITH THE SAFETY RULES AND REGULATIONS APPLICABLE AT THE SITE AND THE PARTICULAR REQUIREMENTS FOR OPERATION OF OTHER EQUIPMENT AT THE SITE.

THESE INSTRUCTIONS DO NOT PURPORT TO COVER ALL DETAILS OR VARIATIONS IN EQUIPMENT NOR TO PROVIDE FOR EVERY POSSIBLE CONTINGENCY TO BE MET IN CONNECTION WITH INSTALLATION, OPERATION OR MAINTENANCE. SHOULD FURTHER INFORMATION BE DESIRED OR SHOULD PARTICULAR PROBLEMS ARISE WHICH ARE NOT COVERED SUFFICIENTLY FOR THE CUSTOMER/OPERATOR'S PURPOSES THE MATTER SHOULD BE REFERRED TO GE.

THE RIGHTS, OBLIGATIONS AND LIABILITIES OF GE AND THE CUSTOMER/OPERATOR ARE STRICTLY LIMITED TO THOSE EXPRESSLY PROVIDED IN THE CONTRACT RELATING TO THE SUPPLY OF THE EQUIPMENT. NO ADDITIONAL REPRESENTATIONS OR WARRANTIES BY GE REGARDING THE EQUIPMENT OR ITS USE ARE GIVEN OR IMPLIED BY THE ISSUE OF THESE INSTRUCTIONS.

THESE INSTRUCTIONS ARE FURNISHED TO THE CUSTOMER/OPERATOR SOLELY TO ASSIST IN THE INSTALLATION, TESTING, OPERATION, AND/OR MAINTENANCE OF THE EQUIPMENT DESCRIBED. THIS DOCUMENT SHALL NOT BE REPRODUCED IN WHOLE OR IN PART WITHOUT THE WRITTEN APPROVAL OF GE.

# Table of Contents

- 1. Transducer Drawings \_\_\_\_\_ 5
  - 1.1. Overall View \_\_\_\_\_ 5
  - 1.2. Sectional View \_\_\_\_\_ 6
- 2. 8007 Transducer \_\_\_\_\_ 7
  - 2.1. 8007 Models \_\_\_\_\_ 7
  - 2.2. Recommended Spare Parts \_\_\_\_\_ 7
- 3. 8008 Transducer \_\_\_\_\_ 8
  - 3.1. 8008 Models \_\_\_\_\_ 8
  - 3.2. Recommended Spare Parts \_\_\_\_\_ 8

## About this Parts Supplement Information

- The information contained in this document is subject to change without prior notice.
- The information contained in this document, in whole or part, shall not be transcribed or copied without GE's written permission.
- Please report any errors or questions about the information in this manual to your local supplier.
- These instructions are written specifically for the 8007/8008 Series electropneumatic transducers, and do not apply for other instruments outside of this product line.

## Warranty

Items sold by General Electric are warranted to be free from defects in materials and workmanship for a period of one year from the date of shipment provided said items are used according to GE recommended usages. GE reserves the right to discontinue manufacture of any product or change product materials, design or specifications without notice.

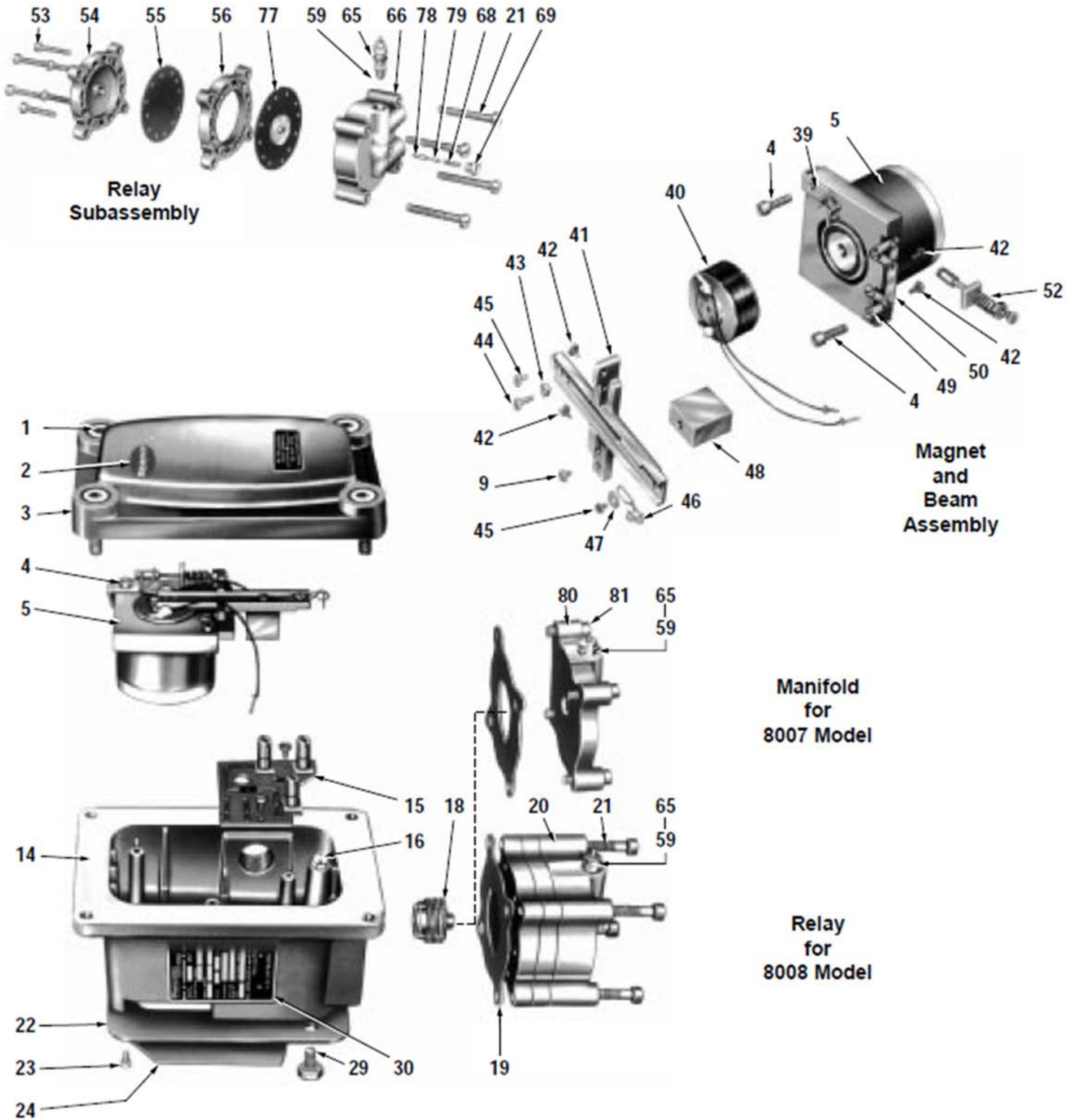
## Warning

Please read the safety information in instruction manual for installation in hazardous area.

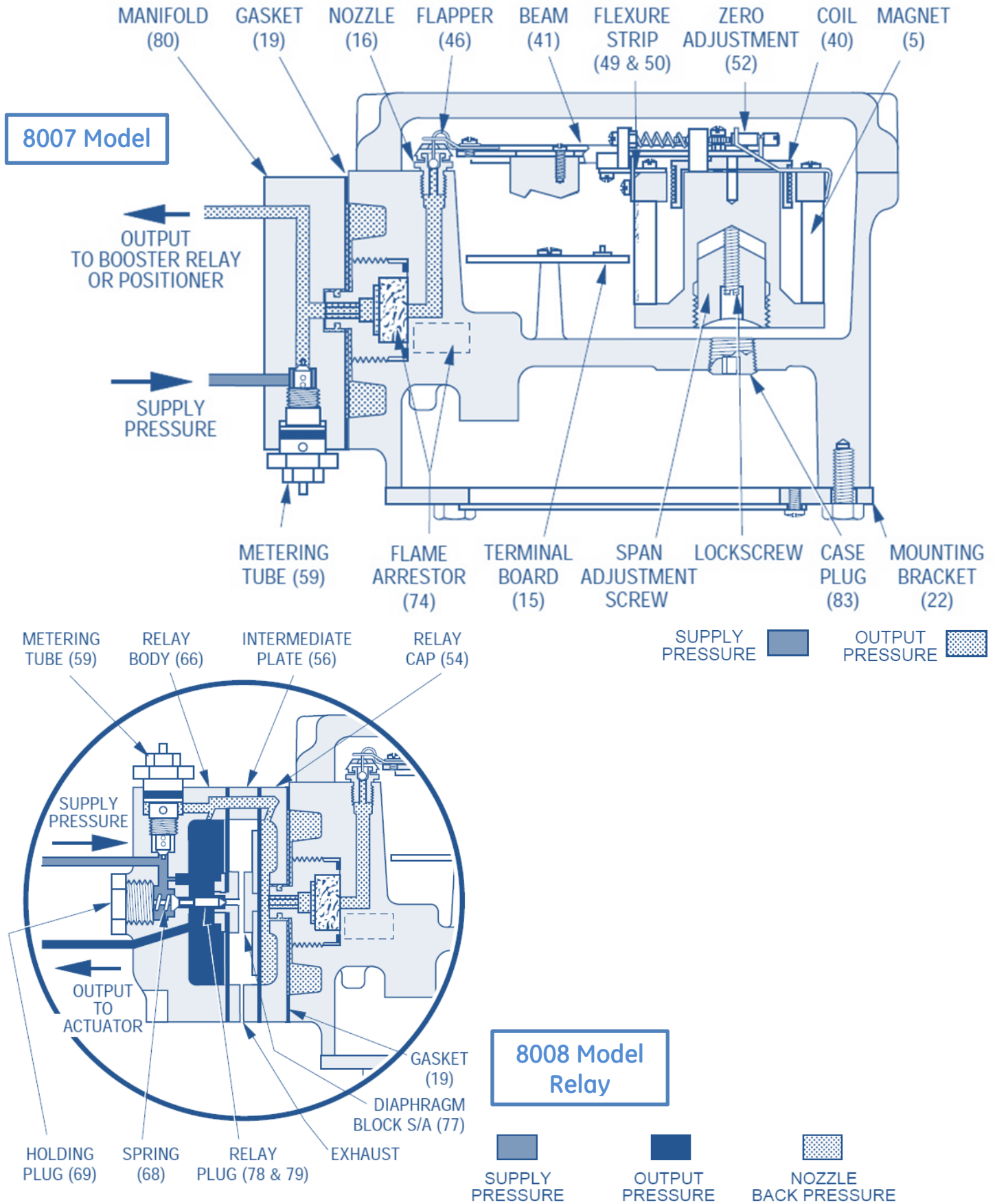
**FOR INSTALLATION & OPERATION INSTRUCTIONS, PLEASE REFER TO  
MASONILAN INSTRUCTION MANUAL ES60004**

# 1. Transducer Drawings

## 1.1. Overall View



## 1.2. Sectional View



## 2. 8007 Transducer

### 2.1. 8007 Models

Qty	Model	Part Number	Signal	Output	Option
1	8007-057	400145894-999-1601	4-20 mA	0.2-1 bar	ATEX EEx d "FLAME-PROOF"
1	8007-058	400148402-999-1601	4-20 mA	0.2-1 bar	ATEX EEx ia "INTRINSIC SAFETY"
1	8007-055	400149415-999-1601	4-20 mA	0.2-1 bar	"TIGHT-PROOF"

### 2.2. Recommended Spare Parts

Tag	Description	Part Number	Material
5	MAGNET S/A	400082883-999-0000	
15	TERMINAL BOARD S/A	000037446-999-0000	
16	NOZZLE (CAP & BALL)	063236004-999-0000	
19	GASKET	060188015-660-0000	CHLOROPRENE 60 SHORE
40	COIL 4-20 mA FOR 8007-055 & 057	400078977-888-0000	
40	COIL 4-20 mA FOR 8007-058	400086351-999-0000	
49	FLEXURE STRIP	063225001-26430000	COPPER BERYLLIUM
50	FLEXURE STRIP	063225002-26430000	COPPER BERYLLIUM
59	METERING TUBE S/A	060189015-999-0000	
65	O-RING FOR METERING	971886175-971-0000	NITRILE
	GASKET FOR 8007-055	400045891-781-0000	CHLOROPRENE 60 SHORE
(1)	BEAM S/A	400082885-999-0000	
(1) Parts 9 & 41 to 48			

#### Notes:

- In an intrinsically safe circuit (058 model), the coil mentioned above is to be used in direct action.
- The gasket for 8007-055 is placed between the cover and the case.

## 3. 8008 Transducer

### 3.1. 8008 Models

Model	Part Number	Signal	Output	Option
8008-057	400145895-999-1601	4-20 mA	0.2-1 bar	ATEX EEx d "FLAME-PROOF"
8008-058	400148403-999-1601	4-20 mA	0.2-1 bar	ATEX EEx ia "INTRINSIC SAFETY"
8008-055	400149416-999-1601	4-20 mA	0.2-1 bar	"TIGHT-PROOF"
8008-058	400156356-999-1601	4-20 mA	0.4-2 bar	ATEX EEx ia "INTRINSIC SAFETY"

### 3.2. Recommended Spare Parts

Tag	Description	Part Number	Material
5	MAGNET S/A	400082883-999-0000	
15	TERMINAL BOARD S/A	000037446-999-0000	
16	NOZZLE (CAP & BALL)	063236004-999-0000	
19	GASKET	060188015-660-0000	CHLOROPRENE 60 SHORE
20	RELAY 3-15 WITH METERING	060942004-999-0000	
20	RELAY 6-30 WITH METERING	060942012-999-0000	
40	COIL 4-20 mA FOR 8008-055 & 057	400078977-888-0000	
40	COIL 4-20 mA FOR 8008-058	400086351-999-0000	
49	FLEXURE STRIP	063225001-26430000	COPPER BERYLLIUM
50	FLEXURE STRIP	063225002-26430000	COPPER BERYLLIUM
55	DIAPHRAGM S/A FOR 8008 RELAY	000050174-999-0000	
59	METERING TUBE S/A	060189015-999-0000	
65	O-RING FOR METERING	971886175-971-0000	NITRILE
77	DIAPHRAGM BLOCK S/A FOR RELAY	060184010-999-0000	
	GASKET FOR 8008-055	400045891-781-0000	CHLOROPRENE 60 SHORE
(1)	BEAM S/A	400082885-999-0000	

(1) Parts 9 & 41 to 48

#### Notes:

- In an intrinsically safe circuit (Model 058), the coil mentioned above is to be used in direct action.
- The relay S/A N°20 is available to avoid purchasing different parts of the relay (i.e. Tags 55, 59, 65 & 77...).
- The gasket for 8007-055 is placed between the cover and the case.



# DISTRIBUTOR

## **E.P. & S. - FRANCE**

24 bis rue de Picpus

75012 PARIS

Tel: +33 (0) 762 682 291

Tel: +33 (0) 650 590 965

ventes@fr-eps.com

## **E.P. & S. - CAMEROON**

Immeuble Carré d'Or

Rue Soppo Priso Côté Chococho, Bonapriso

DOUALA

Tel: +237 6 52 12 70 95

Tel: +33 (0) 782 006 276

ventes@fr-eps.com

Visit our web-site:  
**[www.fr-eps.com](http://www.fr-eps.com)**



\* Trademark of the General Electric Company.  
Other company names and product names used in this document are  
the registered trademarks or trademarks of their respective owners.

© 2014 General Electric Company. All rights reserved.