

Masoneilan* Valve Model 77-8

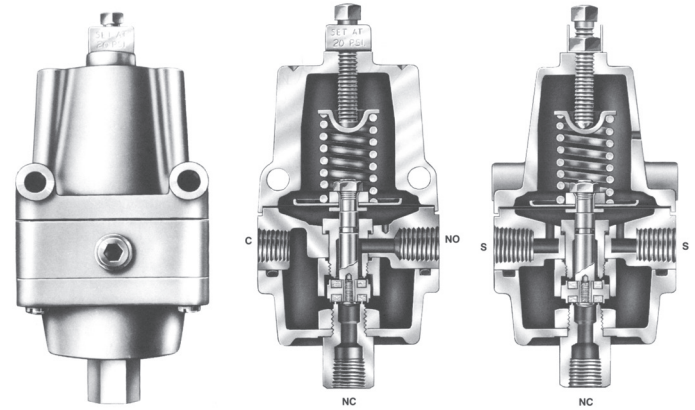
Three Way Transfer Valve



Features

The Masoneilan Model 77-8 three way transfer valve from GE is used alone or with differential gap controllers, lockup valves and other equipment in pneumatic control circuits to add flexibility to devices such as valves, load applicators and instruments.

A pneumatic signal or air supply is piped to a spring opposed diaphragm which actuates a double faced soft seat plug. As long as a pressure exists at one of the signal ports (S) in excess of the set pressure of the unit, the normally open port (NO) is closed and flow through the valve is from the common port (C) to the normally closed port (NC) or from NC to C. When the signal pressure falls below the set valve, the spring closes port NC and opens NO to allow flow from port C to port NO, or from port NO to port C. Signal pressure is sealed off from the valve body by an O-Ring.



For use with air operated valves, load applicators and instruments

Specifications

• Body

- Connections: Screwed - 1/4" NPT
- Materials: Die cast aluminum
- Rating: 250 psi @ 150°F
- Valve seats: Brass
- Plug assembly: Brass with Buna N inserts
- O-ring seals: Buna N

• Diaphragm

Buna N, nylon reinforced

• Control Ranges

5-40; 5-100 psi

• Gauges

Available for integral mounting ranges 0-100 or 0-160 psig

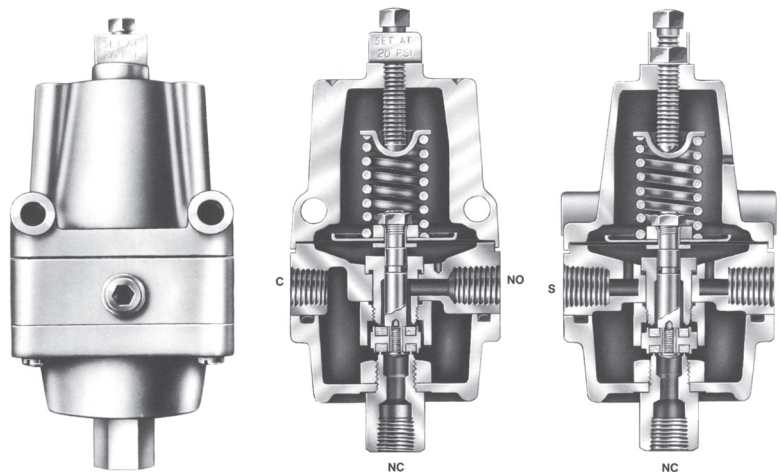
Performance

Model	Control Range (psi)	Maximum Pressure Change on Diaphragm for Full Stroke (psi)
7-8	5-40	4
77-80	5-100	11

Capacity

Inlet Pressure (psig)	Flow Direction	Maximum Capacity (SCFH)
25	Port C through Port NC	780
25	Port C through Port NO	1050

Dimensions



DISTRIBUTOR

E.P. & S. - FRANCE

24 bis rue de Picpus

75012 PARIS

Tel: +33 (0) 762 682 291

Tel: +33 (0) 650 590 965

ventes@fr-eps.com

E.P. & S. - CAMEROON

Immeuble Carré d'Or

Rue Soppo Priso Côté Chococho, Bonapriso

DOUALA

Tel: +237 6 52 12 70 95

Tel: +33 (0) 782 006 276

ventes@fr-eps.com

Visit our web-site:
www.fr-eps.com



* Trademark of the General Electric Company.
Other company names and product names used in this document are
the registered trademarks or trademarks of their respective owners.

© 2014 General Electric Company. All rights reserved.