



# Masoneilan\* V-Max\* 36005 Series

## High Capacity Control Ball Valve

GE's Masoneilan\* 36005 Series V-Max\* High Capacity Control Ball Valve is first and foremost a control valve. In other words, unlike other high-capacity ball valve designs, the V-Max\* control ball valve doesn't sacrifice control accuracy to achieve higher capacities.

The V-Max\* control ball valve's patented dual-characterized segmented ball design combines high Cv ratings with exceptional 500:1 turndown. It is an excellent solution for both high-viscosity fluid applications, found in the pulp and paper industry, as well as for processes requiring very high capacity along with accurate control. Standard features also include our environmental packing seal (EF seal\*).



## Highest Rated Capacities

Of all segmented ball valves, the V-Max\* control ball valve has the highest rated capacities. Class-leading 500:1 turndown extends the valve's application range, providing increased application flexibility without the complexity of typical reduced trim options.

Valve Size		Capacity $C_v$
in	DN	
1	25	55
1 - 1 1/2	40	125
2	50	170
3	80	440
4	100	740
6	150	1250
8	200	1860
10	250	3020
12	300	4400



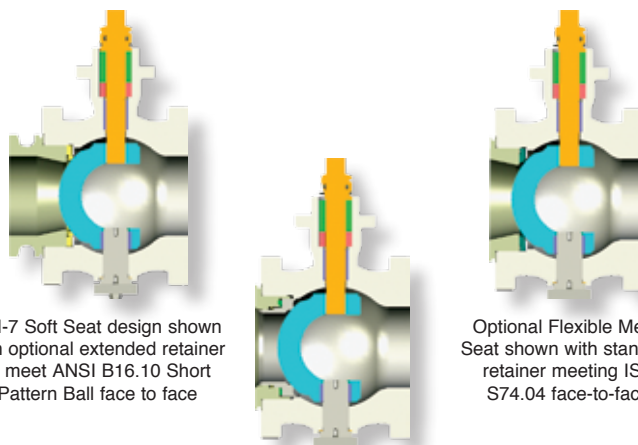
## Advanced Diagnostics - GE's Masoneilan\* SVI\* II AP Digital Valve Positioner

An optional SVI\* II AP advanced performance, digital smart valve positioner provides industry-leading control accuracy and resolution. A non-contacting position sensor, directly coupled to the valve shaft, eliminates external linkage to simplify installation. Auto-tune and auto-calibration features minimize installation and startup time, while ensuring consistent positioning accuracy. Advanced diagnostics provide predictive maintenance functionality by warning of impending problems or failure.



## Tailored To Your Application Needs

Three seat types and two face-to-face options allow the V-Max\* control ball valve to be tailored to your application needs. Standard MN-7 soft-seat construction provides low operating torque and consistent Class VI shutoff. Optional flexible metal seats extend the temperature rating to 316° C (600° F) with Class IV shutoff. The optional heavy-duty seat provides increased durability in harsher service environments



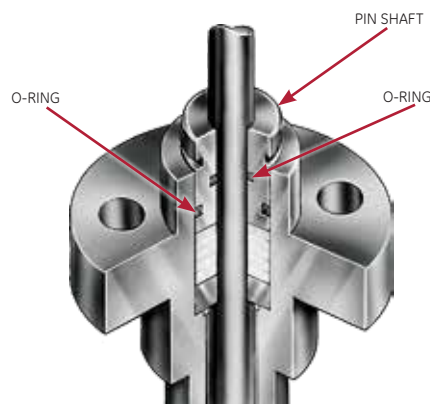
MN-7 Soft Seat design shown with optional extended retainer to meet ANSI B16.10 Short Pattern Ball face to face

Optional Flexible Metal Seat shown with standard retainer meeting ISA S74.04 face-to-face

Heavy Duty Seat option provides increased durability in harsh services

## EF Seal

The EF seal from GE's Masoneilan\* products provides long-term, reliable, extremely low- emission shaft-seal performance. This economical solution to fugitive emissions won't compromise control performance and is suitable for use in environmentally sensitive applications.



Standard V-Max Packing Arrangement  
EF Seal (Emission Free)  
Double O-Ring Seal-Packing Follower  
Fugitive Emission-Containment Package for Zero Leakage†

† Factory Mutual certified report

# DISTRIBUTOR

## **E.P. & S. - FRANCE**

24 bis rue de Picpus

75012 PARIS

Tel: +33 (0)9 83 01 21 01

ventes@fr-eps.com

## **E.P. & S. - CAMEROON**

Immeuble Carré d'Or, Rue Njo-Njo

Bonapriso, DOUALA

Tel: +237 6 52 12 70 95

ventes@fr-eps.com

Visit our web-site:  
**[www.fr-eps.com](http://www.fr-eps.com)**



\* Trademark of the General Electric Company.  
Other company names and product names used in this document are  
the registered trademarks or trademarks of their respective owners.

© General Electric Company. All rights reserved.