

# Masoneilan\* 31/32 Series Spring Diaphragm Rotary Actuator

# fact sheet

The Masoneilan model 31 and 32 pneumatic spring diaphragm rotary actuators from GE are designed to provide high performance, reliability and long service life. Product features include:

## Field Reversible

Air action can be changed in the field without additional parts.

## Modular Spring Pack

Three standard spring ranges are achievable using two springs either individually or combined.

## Separate Interchangeable Yoke

Allows flexible mounting options to a variety of rotary valves. Yoke and mounting parts are available for Masoneilan rotary valves as well as a universal mounting that is adaptable to other quarter turn valve designs

## Diaphragm Cases

Pressed-steel upper and lower diaphragm cases combine lightness, high mechanical strength and protection in the event of over pressurization.

## Diaphragm

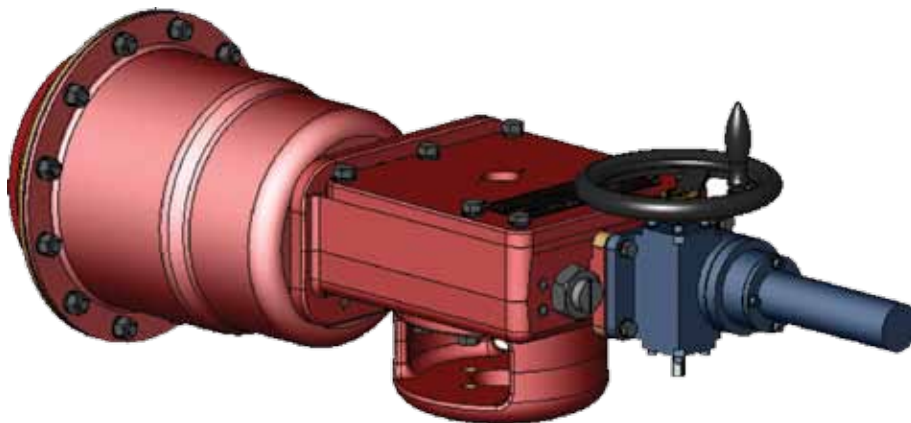
Molded elastomeric diaphragm with fabric insert for strength, long life and high sensitivity.

## Linearity

The molded rolling diaphragm and deep cases minimize area changes providing a more linear relationship between travel, air pressure and output torque.

## High-Power Manual Override

An optional right-angle manual gear (hand-jack) override is available for all configurations.



# fact sheet

## Specifications

### Output Torque – lbs-in

Spring Range	Air Supply - psi											
	40		50		60		70		80		90	
psi	Air End	Spring End	Air End	Spring End	Air End	Spring End	Air End	Spring End	Air End	Spring End	Air End	Spring End
	Output Torque lbs-in											
12-28	1584	1535	2855	1535								
17-40					2633	2184	3907	2184				
29-68									1675	3718	2947	3718

### Output Torque – N-m

Spring Range	Air Supply - bar											
	2.76		3.45		4.14		4.83		5.52		6.21	
psi	Air End	Spring End	Air End	Spring End	Air End	Spring End	Air End	Spring End	Air End	Spring End	Air End	Spring End
	Output Torque N-m											
12-28	179	173	322	173								
17-40					297	247	441	247				
29-68									189	420	333	420

## LodB Trim Designs

Model	Size	Spring Range		Effective Area		Actuator Stroke		Handwheel Diameter	
		psi	kPa	sq. in.	sq. cm	inches	mm	inches	mm
31/32	D	12-28	83-193	60	387	4.000	101.6	8	203
	D	17-40	117-276	60	387	4.000	101.6	8	203
	D	29-68	200-469	60	387	4.000	101.6	8	203



\* Masoneilan is a trademark of the General Electric Company.  
© 2012 General Electric Company. All rights reserved.

Other company names and product names used in this document are the registered trademarks or trademarks of their respective owners.