

Masoneilan* Valves 28000 Series Varipak Control Valves

Precise Microflow Valves
with Compact Design
and Flexible Capabilities

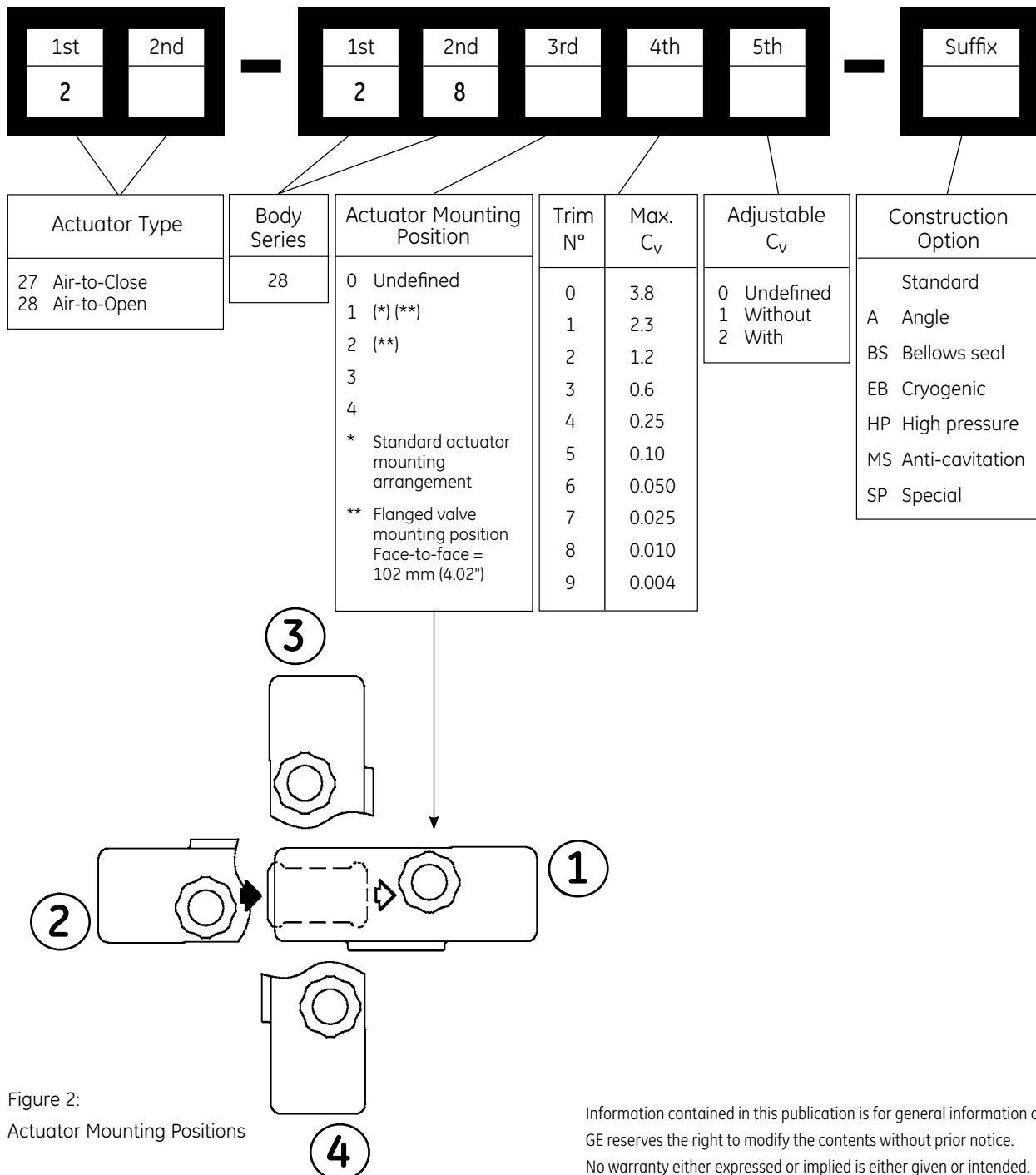


imagination at work

Table of Contents

Numbering System.....	2	Varilog Anti-Cavitation Varipak.....	9
Micro-flow Control Innovation	3	High Pressure Varipak	10
General Data	4	Bellows Seal Varipak	11
Materials of Construction	5-6	Cryogenic Varipak.....	12
Standard Flangeless Varipak.....	7	Accessories and Options	13
Standard Flanged Varipak.....	8	Standard Actuator Options.....	14

Numbering System



Information contained in this publication is for general information only and GE reserves the right to modify the contents without prior notice. No warranty either expressed or implied is either given or intended.

Microflow Control Innovation

Optimized C_v Characteristics

The VariPak valve outshines conventional microflow valves with its support of a wide range of nominal C_v values (from 0.0016 to 3.8), using only eight plugs and five seats.

Precise C_v Calibration and Selection - C_v and F_L

Valve Sizes			Trim No.	Flow Coefficient C_v									Critical Flow Factor F_L
.5" (15mm)	.75" (20mm)	1" (25mm)		With Adjustable C_v Function							Without Adjustable C_v Function		
				Min.		Risk-Free ⁽³⁾		Max.					
•	•	•	9	0.0016	0.0020	0.0024	0.0028	0.0032	0.0036	0.0040	0.0040	0.85	
•	•	•	8	0.004	0.005	0.006	0.007	0.008	0.009	0.010	0.010	0.85	
•	•	•	7	0.010	0.013	0.016	0.019	0.021	0.023	0.025	0.025	0.85	
•	•	•	6	0.020	0.025	0.030	0.035	0.040	0.045	0.050	0.050	0.85	
•	•	•	5	0.04	0.05	0.06	0.07	0.08	0.09	0.10	0.10	0.85	
•	•	•	4	0.10	0.13	0.16	0.19	0.21	0.23	0.25	0.25	0.90	
•	•	•	3	0.25	0.30	0.35	0.40	0.45	0.50	0.55	0.60	0.60	0.90
•	•	•	2	0.5	0.6	0.7	0.8	0.9	1.0	1.1	1.2	1.2	0.92
•	•	•	1	1.9	1.1	1.3	1.5	1.7	1.9	2.1	2.3	2.3	0.92
	•(2)	•(1)	0	1.5	1.9	2.3	2.6	2.9	3.2	3.5	3.8	3.8	0.92

(1) Flangeless, flanged or threaded connections.

(2) Flangeless or threaded connections.

(3) The "Risk-free" setting allows for easy valve capacity adjustments in the field to meet changing service conditions.



Figure 3: Flow Coefficient Adjustment

General Data

Body

Type:	globe style angle style optional
Sizes:	1" (DN 25) standard 1/2" (DN 15) and 3/4" (DN 20) optional
Materials:	Standard: type 316L St. St. Optional: Monel®, Hastelloy® C, Alloy 20, others
Options:	Flanged valve Anti-cavitation Varilog High pressure Bellows seal Cryogenic Angle valve NACE version

Trim

Plug type:	contoured, heavy top guided multi-staged anti-cavitation (Varilog) optional
Seat type:	metal seat
C _v ratio:	500/1 at max. C _v 200/1 at min. C _v
Flow characteristics:	linear (trim No. 0 to 5) modified linear (trim No. 6 to 9)
Flow Direction:	flow-to-open flow-to-close optional

Actuator

Type:	spring-opposed rolling diaphragm
Action:	direct or reverse, easily performed without additional parts
C _v adjustment:	optional adjustable knob/lever
Handwheel:	optional top mounted
Air connection:	1/8" NPT

Temperature Range/Seat Leakage

Valve Type	Temperature Range ⁽¹⁾	Seat Class ⁽²⁾	
Standard and High Pressure Valves	-320°F to +650°F (-192°C to +343°C)	IV	V
Cryogenic Valves	-455°F to +300°F (-270°C to +150°C)		
Varilog Anit-Cavitation Valves	-20°F to +650°F (-29°C to +343°C)		

(1) Please consult GE for applications outside the temperature ranges noted.

(2) Class IV seat leakage is standard and Class V is optional. Seat leakage class ratings per IEC 534-4 and ANSI/FCI 70-2.

Rating/End Connections**

Valve Sizes		Maximum C _v	ASME Class 150-1500 ISO PN 20-250					ASME Class 150-600 ISO PN 20-100	
inches	mm		Flangeless	Threaded	SW	BW	Flanged Face-to-Face: 6.3" (160mm)	Flanged Face-to-Face: 4" (102mm)	
.5	15	2.3	•	•	•		•	•	
.75	20	2.3	•	•	•		•	•	
1	25	3.8	•	•	•	•	•	•	

** Please consult GE for applications requiring ASME Class 2500/ISO PN 420 rating.

Materials of Construction

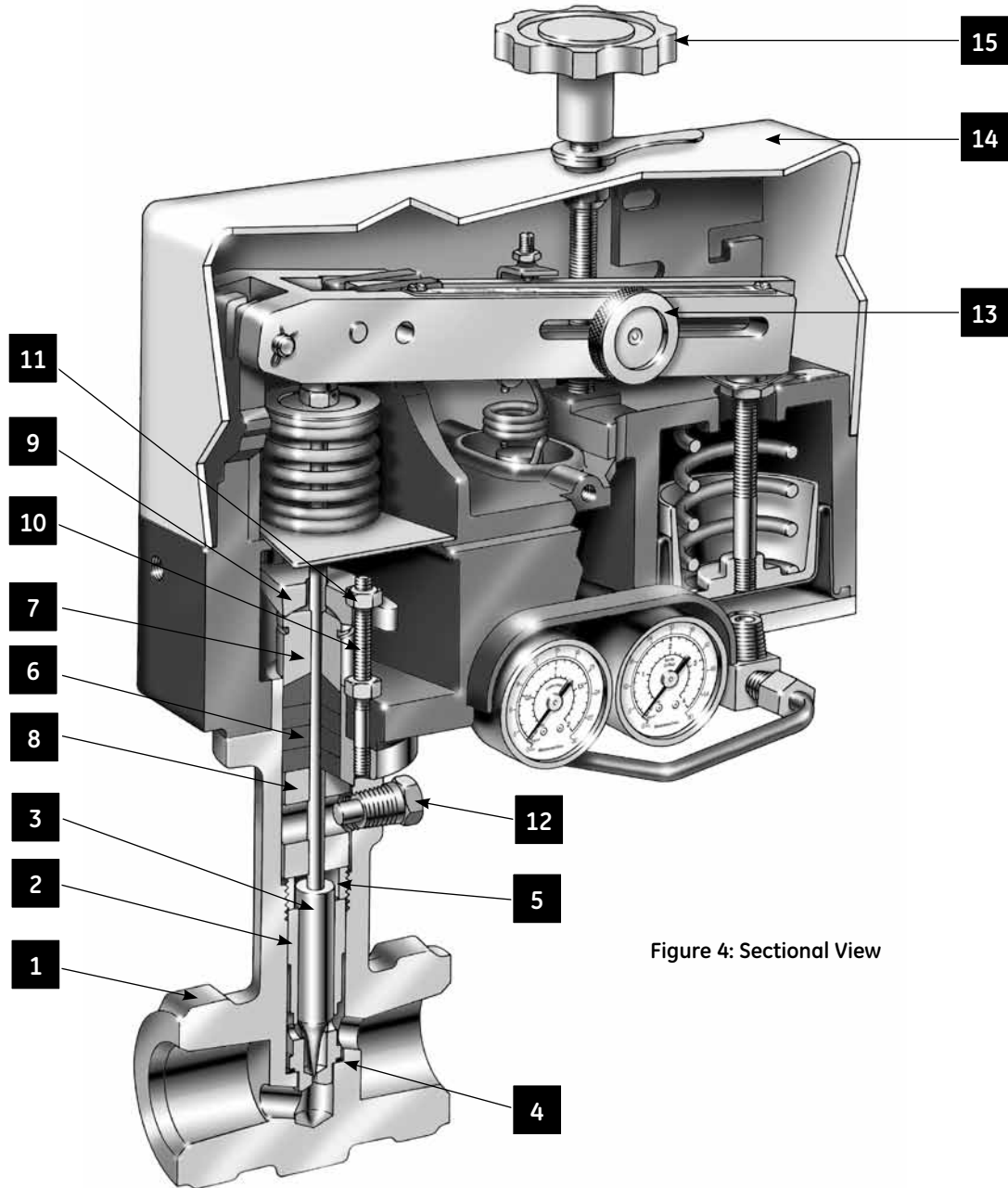


Figure 4: Sectional View

Materials of Construction

Materials* (Standard and NACE Construction) ⁽¹⁾

Ref. No.	Temperature Range	-320°F -196°C	+450°F +232°C	+650°F +343°C	-20°F -29°C	+450°F +232°C
		Standard Materials (Optional Materials)			NACE Materials	
1	Body	316L St. St. ASTM A182 Gr. F 316L (forging)			22 HRC Max.	
		316L St. St. ASTM A351 Gr. CF3M (casting)				
		<i>Optional: Monel®, Hastelloy® C, Alloy 20</i>				
2	Seat	17-4 PH St. St. ASTM A564 Gr. 630 Condition H900 (Max CV ≥ 0.10, trims No. 0 to 5)			MONEL K 500 35 HRC Max.	
		Solid Stellite No. 6 or Equivalent (Max C _V ≤ 0.05, trims No. 6 to 9)			35 HRC Max.	
		<i>Optional: 440C St. St. Monel®, Hastelloy® C, Alloy 20</i>				
3	Plug and Stem S/A	Plug Solid Stellite No. 6 or Equivalent (Max C _V > 0.10, trims No. 0 to 5)			22 HRC Max.	
		Stem 316 St. St. (Max C _V > 0.10, trims No. 0 to 5)				
		One Piece Solid Stellite No. 12 or Equivalent (Max C _V ≤ 0.05, trims No. 6 to 9)				
		<i>Optional: 440C St. St., Monel®, Hastelloy® C, Alloy 20</i>				
4	Seat Ring Gasket	316 St. St. with Flexible Graphite Filler (Spiral Wound) with 316 St. St. inserts			PTFE Fiberglass Reinforced	
5	Seat Ring Retainer	17-4 PH St. St. ASTM A564 Gr. 630 Condition H1075			MONEL K 500 35 HRC Max.	
6	Packing	PTFE (standard up to ASME Class 1500)			PTFE (standard up to ASME Class 1500)	
		Lattyflon® (with optional Viton® O-rings)			Lattyflon® (with optional Viton® O-rings)	
7	Packing Follower	303 St. St. ASTM A582 TY 303			ASTM A479 TY 304 22 HRC Max.	
8	Packing Spacer	316 St. St. ASTM A479 TY 316			22 HRC Max.	
9	Packing Flange	304 St. St. AISI 304			ASTM A743 Gr. CF8 22 HRC Max.	
10	Packing Flange Studs	304 St. St. ASTM A193 Gr. B8			304 St. St. ASTM A193 Gr. B8 (Class III) 304 St. St. ASTM A193 Gr. B8 (Class I or II) 22 HRC Max.	
11	Packing Flange Nuts	304 St. St. ASTM A193 Gr. 8			304 St. St. ASTM A194 Gr. 8 (Class III) 304 St. St. ASTM A194 Gr. 8A (Class I or II) 22 HRC Max.	
12	Safety Pin	316 St. St. ASTM A479 TY 316			22 HRC Max.	
13	C _V Adjustment Knob	Stainless Steel			Stainless Steel	
14	Actuator Cover	Polycarbonate			Polycarbonate	
		<i>Optional: Stainless Steel</i>			<i>Optional: Stainless Steel</i>	
15	Handwheel (optional)	Lexan® + Austenitic St. St.			Lexan® + Austenitic St. St.	

- (1) Materials and processes in accordance with the requirements of NACE specification MR0103. Applications requiring compliance to MR0175, 2003 Rev. or ISO 15156 would require engineering review.
 (2) Materials designated for these parts conform to NACE Class III bolting requirements.
 (3) Materials designated for these parts conform to NACE Class I or Class II bolting requirements.
 (4) Consult GE for NACE Applications above ASME Class 600 rating.



Material not applicable

* Materials noted throughout this text are for reference only. GE reserves the right to supply trade name material or equivalent

Standard Flangeless Varipak

28000 Series

Due to its simple, compact, and versatile stainless-steel body design, the standard flangeless Varipak valve is widely used across a variety of industries.

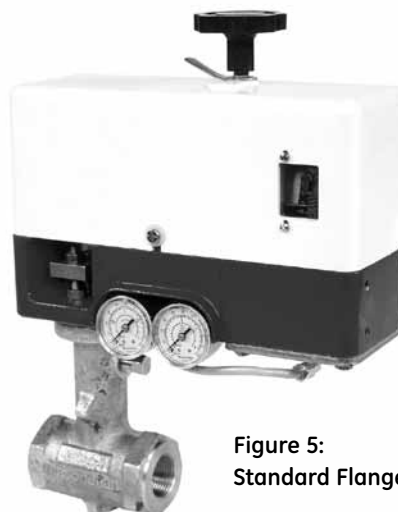


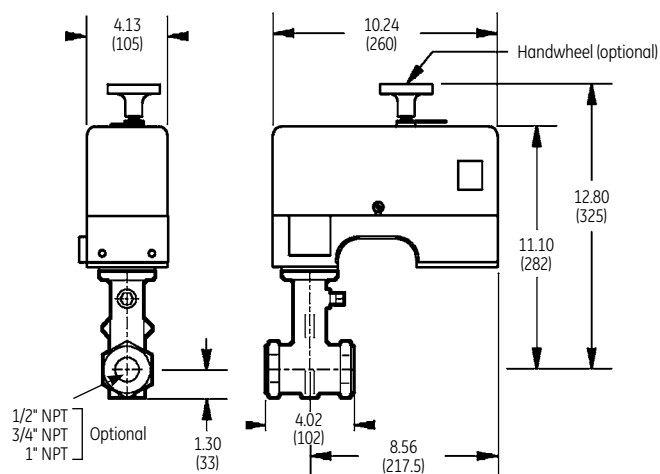
Figure 5:
Standard Flangeless Varipak

Rated C_v Range/Weight

Body/Actuator Assembly Weight	Rated C _v Range
15.4 lbs (7 kg)	3.8 to 0.0040 (trim No. 0 to 9)

Dimensions – inches (mm)

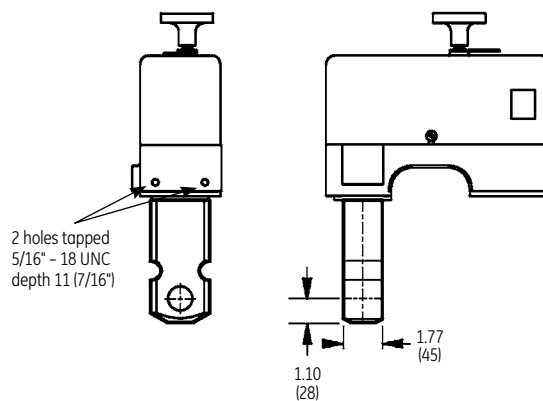
Standard Varipak (Stainless Steel)



Provide a removal clearance of 5.5 inches (140 mm)

Bar Stock Body

(For Non-Castable Material)



Standard Flanged Varipak

28000 Series

The Varipak is also available in flanged configurations with connections and ratings as indicated in the following table.

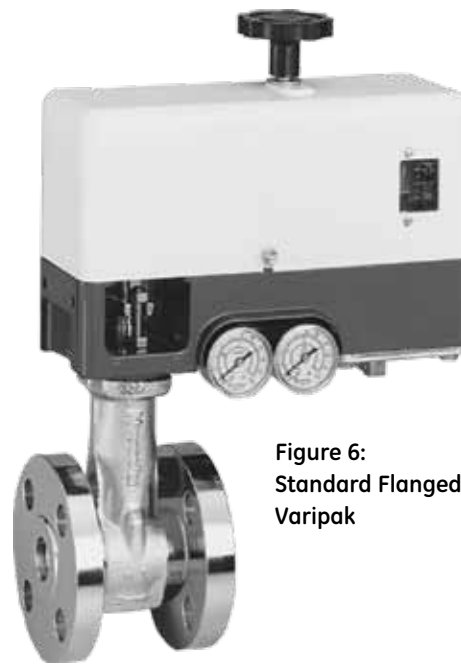


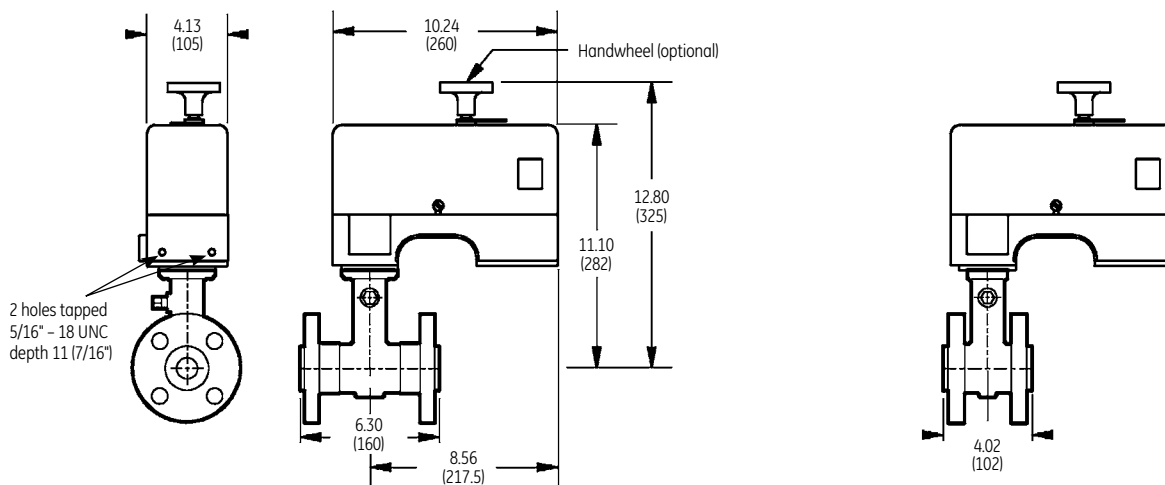
Figure 6:
Standard Flanged
Varipak

Flange Ratings/Weight

Face-to-Face Dimensions	Flange Ratings	Body/Actuator S/A Weight*	Rated C _v Range
4" (102mm)	ASME Class 150-600 ISO PN 20-100 (raised face only)	8 to 10 kg (17.4 to 22 lbs)	3.8 to 0.0040 (trim No. 0 to 9)
6.3" (160mm)	ASME Class 150-1500 ISO PN 20-250 DIN PN 10-250 (RF, FF, RTS, etc...)	10 to 12 kg (22 to 26.5 lbs)	

* depending on rating.

Dimensions – inches (mm)



Provide a removal clearance of 5.5 inches (140 mm)

Varilog* Anti-Cavitation Varipak



28000 MS Series

The Varilog multi-stage trim design for the Varipak control valve provides unmatched anti-cavitation performance in low flow applications.

By reducing erosion and vibrations, this design helps minimize failure that is often associated with conventional single-seated valves. The Varilog trim is available with the standard Varipak body designs in either the flanged or flangeless configurations.

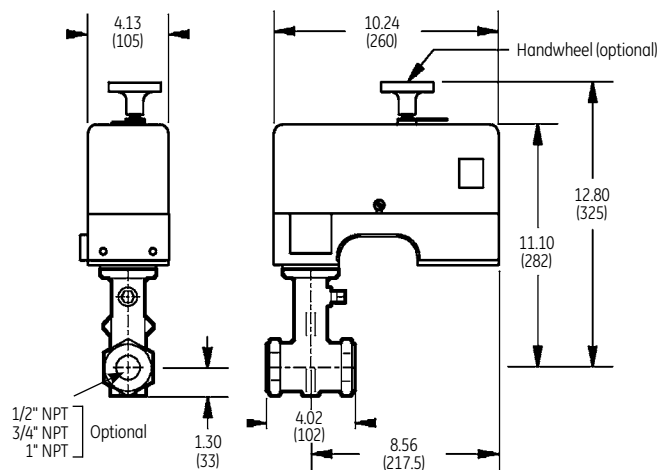
Figure 7: Varilog Trim Subassembly

Specific Characteristics

Rated C_v Range	Critical Flow Factor F_L	Temperature Range	Materials	
0.60 to 0.050 (trim No. 3 to 6)	0.98	-20°F to +660°F (-29°C to +350°C)	Seat	ASTM A 564 Gr. 630 Condition H900 Type 17-4 PH St. St.
			Plug	One piece from solid Stellite No. 12 or Equivalent or ASTM A 276 type 440 C St. St.
			Other Parts	Standard Construction: see page 6

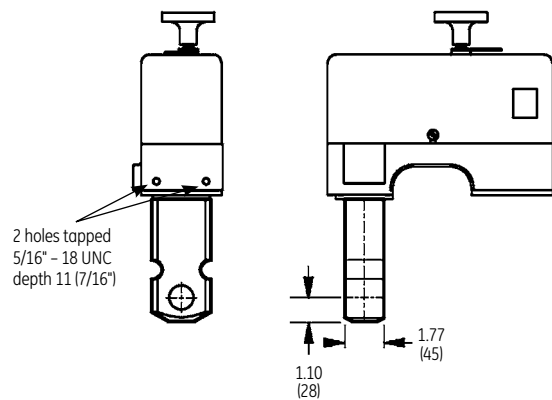
Dimensions – inches (mm)

Standard Varipak (Stainless Steel)



Provide a removal clearance of 5.5 inches (140 mm)

Bar Stock Body
(For Non-Castable Material)



High Pressure Varipak

28000 HP Series

The high-pressure Varipak valve design is recommended for applications involving conditions with very high upstream pressure or pressure drop that exceeds the pressure rating of the standard Varipak body design.

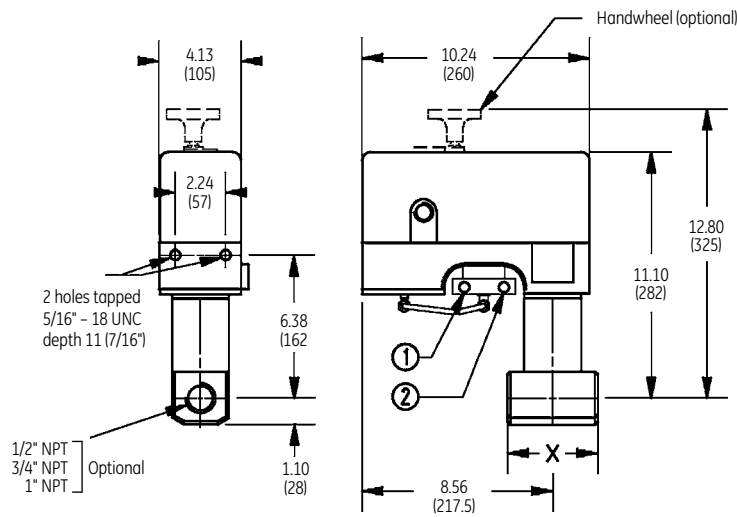


Figure 8:
High Pressure Varipak

Specific Characteristics

Rated C _v Range	Body Rating	Seat Leakage	Materials	
0.60 to 0.0040 (trim No. 3 to 9)	ASME Class 2500 ISO PN 420	Class IV	Body	ASME A 182 Gr. F 316L Optional: ASTM A182 Gr. F 316
			Other Parts	Standard Construction: see page 6

Dimensions – inches (mm)



- ① 1/4" NPT Supply Connection
- ② 1/4" NPT Instrument Connection

Valve Sizes		X	
inches	mm	inches	mm
.5	15	3.15	80
.75	20	4.02	102
1	25		

Provide a removal clearance of 5.5 inches (140 mm)

Bellows Seal Varipak

28000 BS Series

For applications that require no leakage at the packing box, the Varipak valve is available with a bellows seal. This design is ideal for applications that involve the handling of flammable, toxic, or explosive fluids.

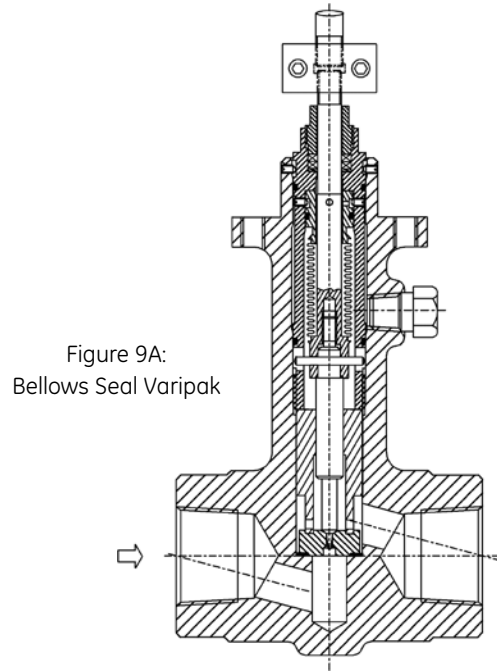
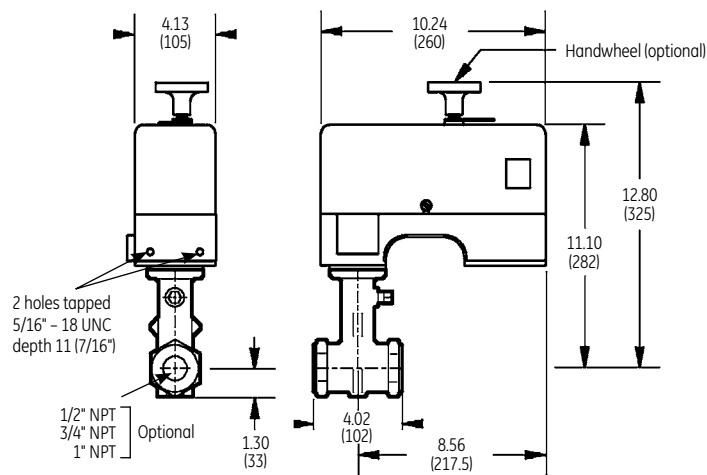


Figure 9A:
Bellows Seal Varipak

Specific Characteristics

Rated C_v Range	Body Rating	Seat Leakage	Operating Pressures	Materials	
2.3 to 0.0040 (trim No. 1 to 9)	ASME Class 150-600 ISO PN 10-100	Class IV	800 psi at +212°F (55 bar at +100°C) 580 psi at +392°F (40 bar at +200°C)	Body	ASTM A 182 Gr. F 316L <i>Optional: A182 Gr. F 316</i>
				Plug/Bellows Subassembly	Plug and Seat: Standard Materials Bellows Assembly: 316L St. St. Viton® O-rings
				Other Parts	Standard Construction: see page 6

Dimensions – inches (mm)



Provide a removal clearance of 5.5 inches (140 mm)



Figure 9B:
Plug and Bellows Subassembly

Cryogenic Varipak

28000 EB Series

Simplified maintenance

This Varipak control valve design meets the requirements of cryogenic processes that require thermal insulation. An insulating interface sets up between the valve body (cold zone) and the body extension located in the higher temperature area (warm zone). The valve body assembly and its thermal extension are positioned inside the cold box, and the plug can easily be removed and inspected without disturbing the valve body. This eliminates the need for any preliminary, complicated dismounting, and more importantly, prevents any interference with the cold box.

Body

Manufactured from a material suitable for low temperatures, the valve body maintains ductility in service. It can be conveniently mounted to suit specific piping needs, as long as the angle between the valve axis and vertical does not exceed 60°.

The bonnet is located away from the cryogenic fluid, which means that the body gasket is not inside the cold zone. This design prevents any leakage of the cryogen into the insulated zone.

Body extension

To reduce the inflow of heat by conduction, thin-walled metal tubes are used for the body extension and coupling sleeve. In addition, the annular space is reduced to exclude convection currents.

Plug

The design of the plug allows the working parts to be accurately centered in relation to the seat and provides a uniform temperature zone for the guiding.

Specific Characteristics

Rated C _v Range	Temperature Range	Body Rating	Seat Leakage	Materials	
3.8 to 0.10 (trim No. 0 to 5)	-455°F to +300°F (-270°C to + 150°C)	ASME Class 150-600 ISO PN 20-100 excepted trim No. 0: ASME Class 150-300 ISO PN 20-50	Class IV	Body and Extension	ASTM A 182 Gr. F 316L
				Plug/Stem	Standard Material
				Seat	Trim No. 0: Standard Material Trim No. 1 to 5: ASTM A 564 Gr. 630 Condition H900 Type 17-4 PH. St. St.
				O-ring Seat Gasket	PTFE
				Other Parts	Standard Construction: see page 6

Dimensions – inches (mm)

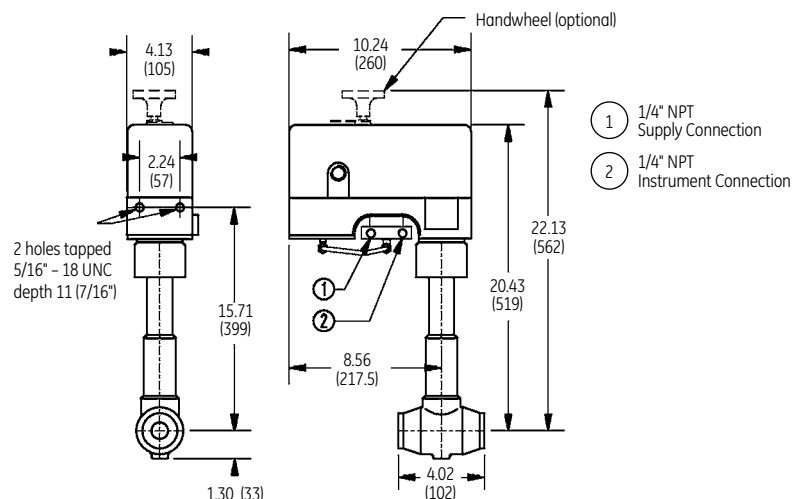


Figure 10: Cryogenic Varipak

Provide a removal clearance of 5.5 inches (140 mm)

Accessories and Options

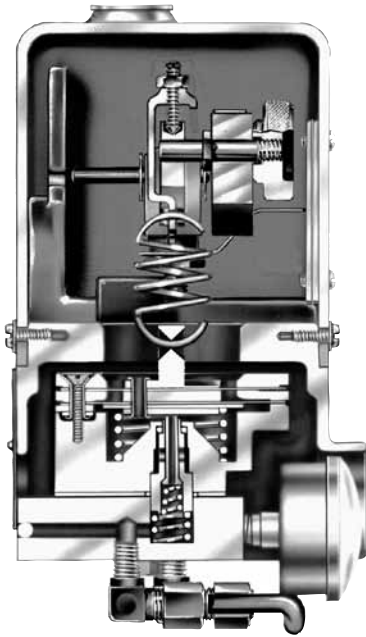


Figure 11: Model 7700P Pneumatic Positioner

Pneumatic Positioner (Model 7700P)

Type	pneumatic, force balance	Supply pressure effect	0.05 percent of full stroke variation per psi supply pressure change (0.07 percent per 100 mbar)
Mounting	built-in bracket in actuator	Open loop gain	70
Action	direct: increasing instrument signal increases air output	Linearity	± 0.5 percent
Characteristics	linear	Sensitivity	0.1 percent
Instrument signal	3 to 15, 6 to 30 or 3 to 27 psi 200 to 1000, 400 to 2050 or (200 to 1850 mbar) 3 to 9, and 9 to 15 psi (200 to 600 and 600 to 1000 mbar) split range	Repeatability	0.1 percent
Connections	1/4" NPT instrument and supply - 1/8" NPT output	Full stroke time	less than one second
Average air consumption	0.15 scfm at 30 psi supply (0.26 Nm ³ /h at 2.1 bar supply)	Weight	3.3 lbs (1.5 kg)
Max. air output	4.20 scfm (7 Nm ³ /h)	Other Accessories	Proximity sensors and limit switches Digital positioners - HART® and Fieldbus Foundation Handwheel, airsets and solenoid valves

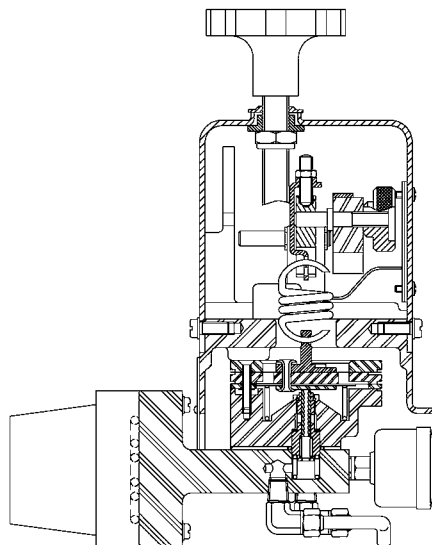


Figure 12: Model 7700E Electropneumatic Positioner

Electropneumatic Positioner (Model 7700E)

Type	electropneumatic, force balance	Hazardous Location Protection	
Mounting	compact, without external linkage to the actuator (see Fig. 15)	ATEX Approvals (94/9/EC Directive)	Explosionproof No. SIRA 02 ATEX 1274 Intrinsic Safety No. SIRA 02 ATEX 2277 X
Action	direct: increasing instrument signal increases air output	FM (Factory Mutual) Approvals	Explosionproof Intrinsic Safety Non-incendive and Dust-ignitionproof
Characteristics	linear	CSA Approvals (Canadian Standards Association)	Explosionproof Intrinsic Safety Non-incendive
Instrument signal	4-20 mA		
Air Connections	1/4" NPT supply - 1/8" NPT output		
Average air consumption	0.24 scfm (0.4 Nm ³ /h)		
Electrical connections	1/2" NPT or M20		
Weight	7.7 lbs (3.5 kg)		

Standard Actuator Options

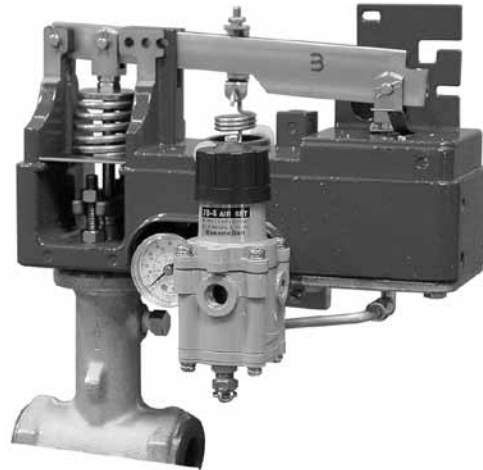
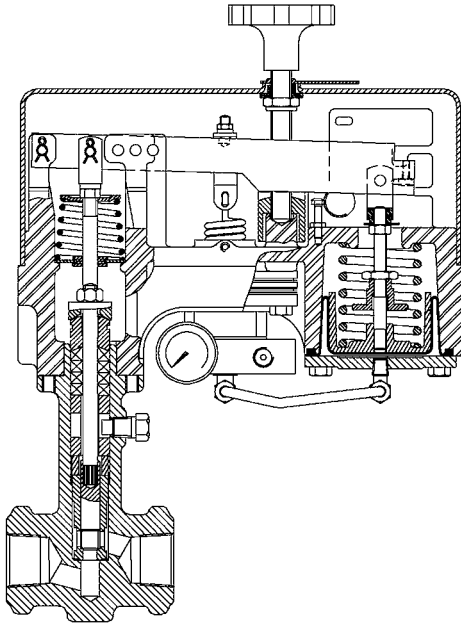


Figure 14: Varipak with Non-Adjustable C_v Actuator (cover removed)

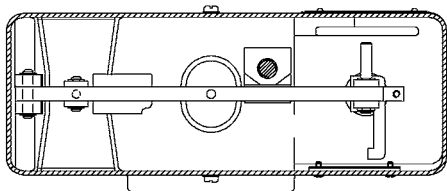


Figure 13: Non-Adjustable C_v Actuator



Figure 15: Varipak with 7700E Electropneumatic Positioner

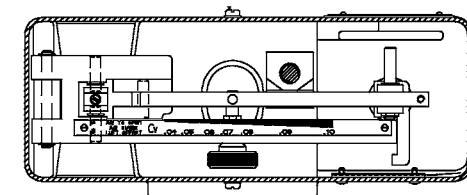
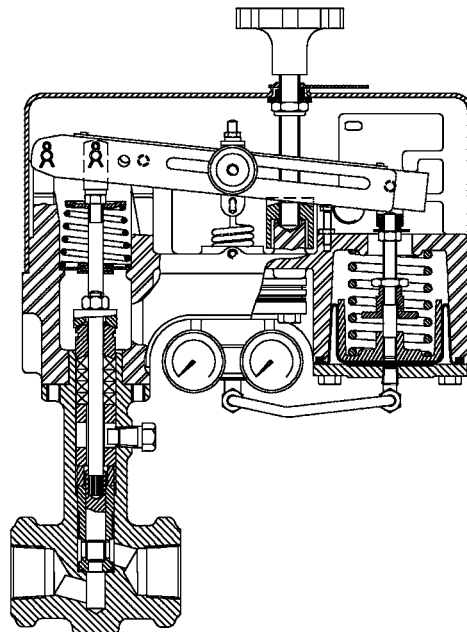


Figure 16: Adjustable C_v Actuator

DISTRIBUTOR

E.P. & S. - FRANCE

24 bis rue de Picpus

75012 PARIS

Tel: +33 (0) 762 682 291

Tel: +33 (0) 650 590 965

ventes@fr-eps.com

E.P. & S. - CAMEROON

Immeuble Carré d'Or

Rue Soppo Priso Côté Chococho, Bonapriso

DOUALA

Tel: +237 6 52 12 70 95

Tel: +33 (0) 782 006 276

ventes@fr-eps.com

Visit your web-site:

www.fr-eps.com



* Trademark of the General Electric Company.
Other company names and product names used in this document are
the registered trademarks or trademarks of their respective owners.

© 2014 General Electric Company. All rights reserved.