

Masoneilan* 173 Series

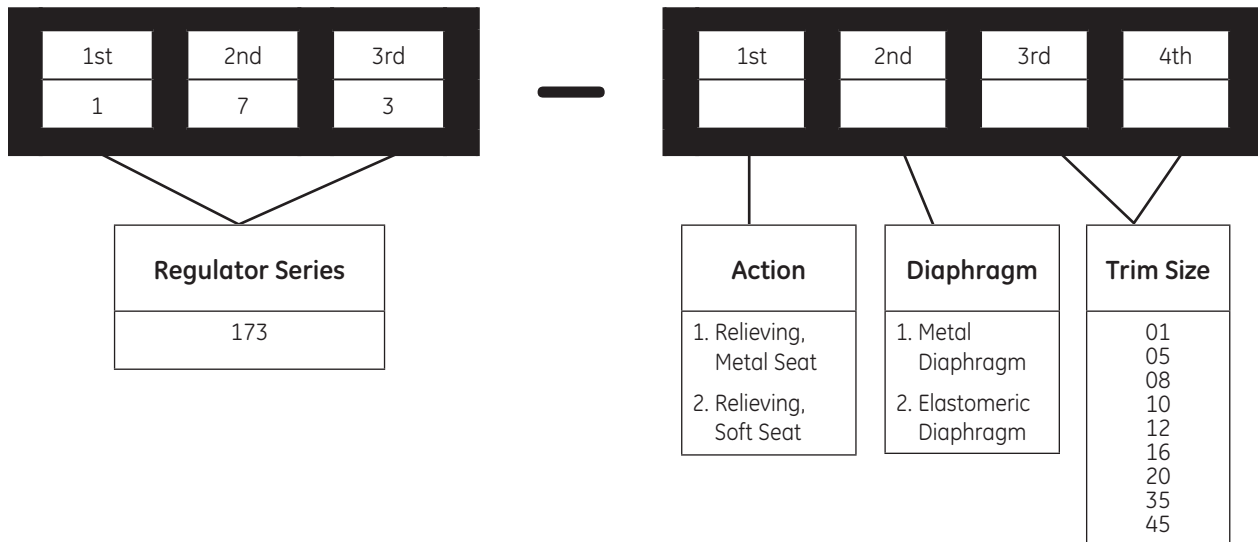
Spring Loaded, Direct-Operated
Back-Pressure Regulator



Table of Contents

Numbering System	3	Standard Material Combinations.....	9
Features/Specifications	4	Rated C _v for All Body Sizes	10
Materials Actuator Size 220	5	Temperature Ranges for Disc Elastomers	10
Materials Actuator Sizes 100 to 140.....	6	Temperature Ranges for Diaphragms.....	10
Dimensions	7	Weights	11
Standard Set Pressure Ranges.....	8		

Numbering System



173 Series:

Threaded or Flanged Connections Carbon Steel, Stainless Steel & Alloy Constructions

The 173 Series are direct operated, pressure relieving or back pressure regulators designed for steam, gas and liquid services. Available in body sizes 1/2" through 2" (DN15 through DN50) in a variety of end connections to suit most applications. These regulators are designed for continuous, rugged industrial use to provide years of reliable service.

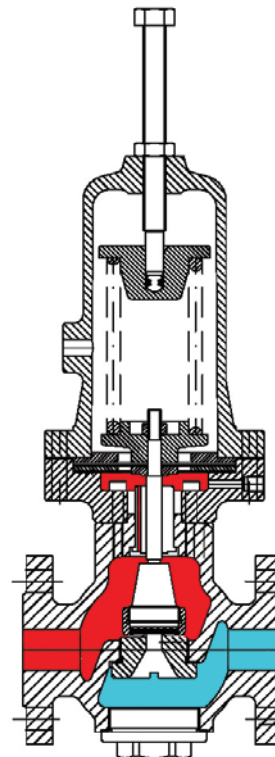
Features

- Versatility
- In-line maintenance
- High stability
- Rugged construction

Specifications

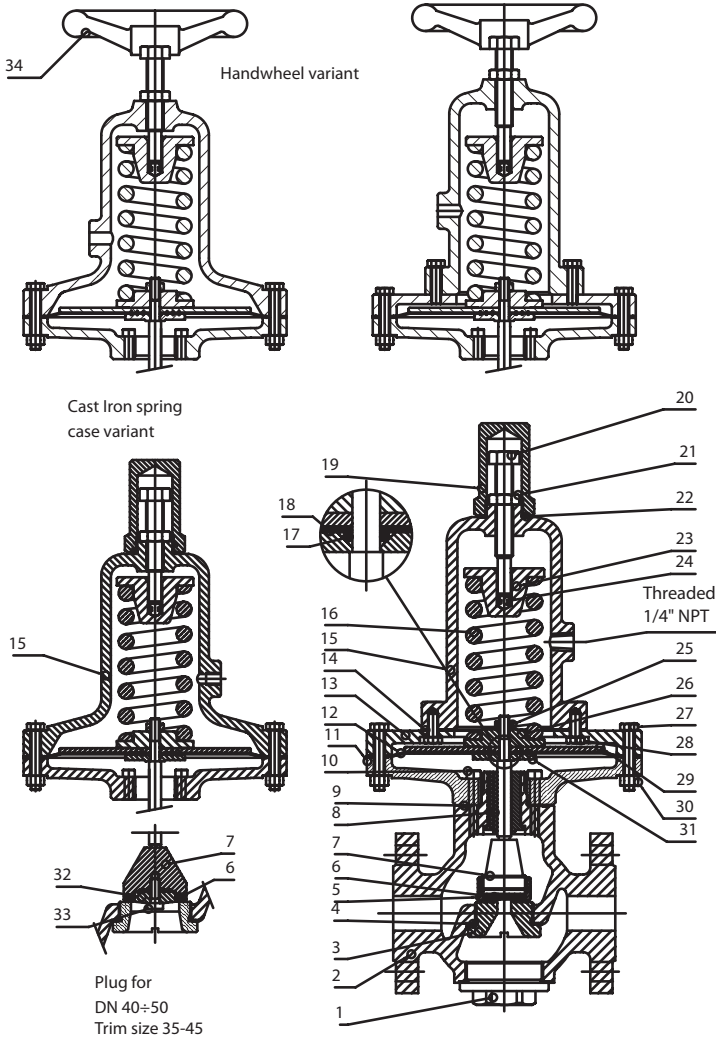
Body

- Body Sizes and End Connections
 - see table 1
- Standard Set Pressure Ranges:
 - see table 2
- Set Point Range:
 - .017 to 667 psig (0.0012 to 46.0 barg) - see table 2
- Temperature Range:
 - see tables 3, 5, 6
- Pressure Sensing:
 - internal (external on request)
- Capacities:
 - see table 4
- Weight:
 - see tables 7 thru 10



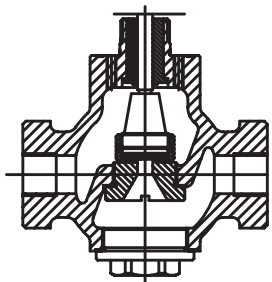
Materials

Actuator Size 220

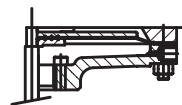


Materials			
1	Blindhead	18	Protector (Optional)
2	Body	19	Cap (Optional)
3	Seat	20	Adjusting Screw
4	Gasket	21	Adjusting Screw Locknut
5	Ring	22	Spring Button (Upper)
6	Plug Seal Elastomer	23	Spring Loader
7	Plug	24	Ball
8	Guide Bushing	25	Nut
9	Gasket	26	Spring Button (Lower)
10	Screw	27	Screw
11	Diaphragm Case	28	Screw
12	Diaphragm	29	Diaphragm Plate (Upper)
13	Actuator Upper Flange	30	Nut
14	Gasket	31	Diaphragm Plate (Lower)
15	Spring Case	32	Soft Seat Retainer
16	Spring	33	Plug Screw
17	O-Ring	34	Handwheel (Optional)

Flanged Construction



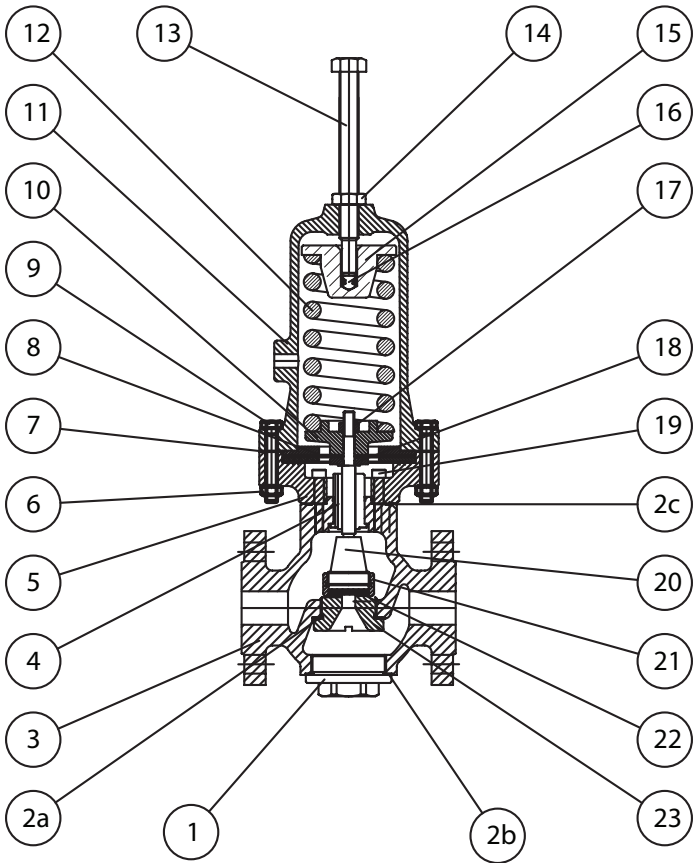
Threaded Construction



External Pressure Sensing (Optional)

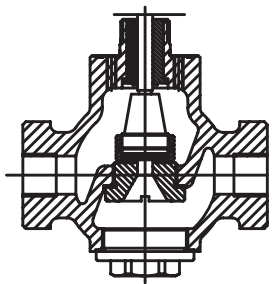
Materials

Actuator Sizes 100 to 140

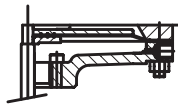


Materials			
1	Blindhead	13	Adjusting Screw
2	Gaskets	14	Adjusting Screw Locknut
3	Valve Body	15	Spring Button (Upper)
4	Guide	16	Ball
5	Diaphragm Case	17	Spring Button (Lower)
6	Nut	18	Diaphragm Plate (Upper)
7	Diaphragm Plate (Lower)	19	Screw
8	Diaphragm	20	Plug
9	Protector (Optional)	21	Plug Screw
10	O-Ring	22	Disc
11	Spring Case	23	Seat
12	Spring		

Flanged Construction



Threaded Construction



External Pressure Sensing (Optional)

Dimensions

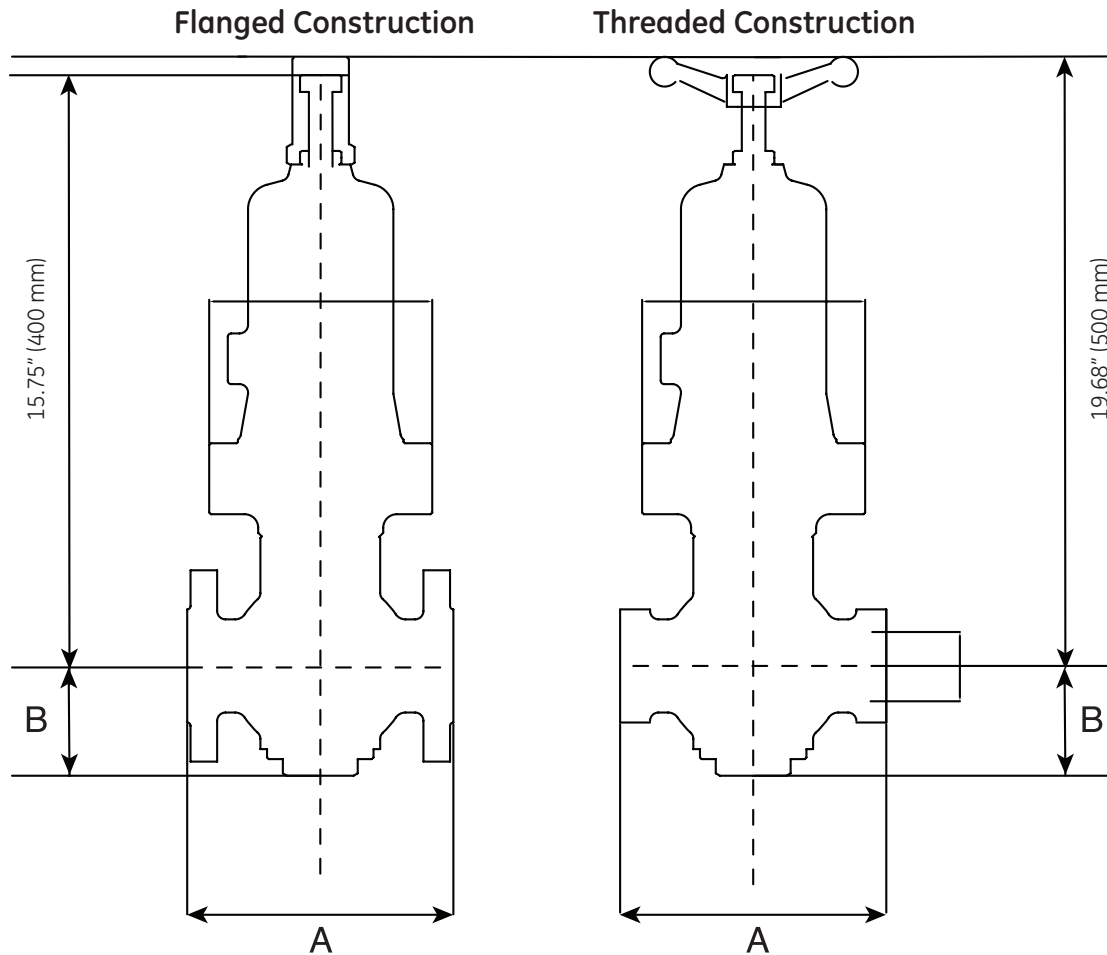


Table 1 - Body Sizes and Face to Face Dimensions

Size	Flanged				Threaded			
	Face to Face Dimensions							
	ANSI Connections			PN Connections				
	150	300	600	150 300 600	PN16	NPT-F		
				PN25	GAS-F Con.			
				PN40	BSP-F			
	A			B	A	B	A	B
1/2" (DN15)	7.3" [184]	7.5" [190]	8.0" [203]	3.0" [75]	6.3" [160]	2.6" [66]	5.1" [130]	2.6" [66]
3/4" (DN20)	7.3" [184]	7.6" [194]	8.1" [206]					
1" (DN25)	7.3" [184]	7.8" [197]	8.3" [210]					
1 1/2" (DN40)	8.7" [222]	9.3" [235]	9.9" [251]		7.3" [185]	3.2" [82]	6.7" [170]	3.5" [82]
2" (DN50)	10.0" [254]	10.5" [267]	10.5" [267]					

Note : values shown between brackets are in mm.

Materials

**Table 2 -
Standard Set Pressure Ranges**

Spring ranges are based on the following assumptions:

1. Stroke from setpoint is $\pm 3\text{mm}$
2. Offset max 20% for minimum set pressure
3. Low unbalancing forces on the plug

* Thin diaphragm (FKM 0.18mm) and upside down installation

 Upright installation

 Upside down installation

Actuator	Spring	Spring Ranges			
		Min. Set Pressure		Max. Set Pressure	
	Name	barg	psig	barg	psig
100	4BIS	4.5	65	8.7	126
	6	7.2	105	14.0	203
	7	10.4	151	21.6	314
	8	14.6	211	23.0	334
	9	22.0	319	34.6	502
	9BIS	27.4	397	37.9	550
	10	34.1	494	41.7	604
10BIS	37.8	548	46.0	667	
120	4BIS	206	37	4.1	59
	6	3.8	56	6.6	95
	7	5.3	77	10.1	147
	8	7.3	105	10.8	156
	9	10.8	156	16.2	235
	9BIS	13.3	193	17.8	258
	10	16.4	238	19.5	283
10BIS	18.1	263	29.5	428	
130	4BIS	1.7	25	3.0	44
	6	2.7	39	4.9	71
	7	3.8	55	7.6	110
	8	5.2	76	8.0	116
	9	7.8	113	12.1	175
	9BIS	9.7	141	13.2	192
	10	12.0	174	14.5	211
10BIS	13.3	193	22.1	320	
140	4BIS	0.7	10	1.3	19
	6	1.1	16	2.1	31
	7	1.6	23	3.3	47
	8	2.2	32	3.5	50
	9	3.3	48	5.2	75
	9BIS	4.1	60	5.7	83
	10	5.1	74	6.3	91
10BIS	5.7	82	9.2	133	
220	2BIS	0.094	1.36	0.12	1.8
	3	0.196	1.54	0.20	3.0
	4	0.127	1.84	0.24	3.4
	4BIS	0.144	2.1	0.37	5.4
	6	0.26	3.8	0.60	8.7
	7	0.40	5.8	0.93	13.4
	8	0.58	8.4	0.99	14.3
	9	0.89	13	1.5	21.5
	9BIS	1.1	16	1.6	23.6
	10	1.4	20	1.8	25.9
10BIS	1.6	23	2.7	38.7	
360	1*	0.0025	0.036	0.014	0.21
	1BIS	0.015	0.22	0.018	0.25
	2BIS	0.019	0.27	0.039	0.56
	3	0.023	0.33	0.063	0.92
	4	0.029	0.42	0.073	1.1
	4BIS	0.035	0.50	0.12	1.7
	6	0.071	1.0	0.19	2.7
	7	0.11	1.6	0.29	4.2
	8	0.17	2.4	0.31	4.4
	9	0.27	3.9	0.46	6.7
	9BIS	0.34	4.9	0.50	7.3
10	0.43	6.2	0.55	8.0	
10BIS	0.48	6.9	0.84	12.2	
515	1*	0.0012	0.017	0.0077	0.11
	1BIS	0.0059	0.09	0.010	0.14
	2BIS	0.0080	0.12	0.021	0.30
	3	0.0100	0.15	0.034	0.50
	4	0.014	0.20	0.04	0.6
	4BIS	0.016	0.24	0.06	0.9
	6	0.036	0.5	0.10	1.5
	7	0.06	0.9	0.16	2.3
	8	0.09	1.3	0.17	2.4
9	0.14	2.1	0.23	3.3	

Materials

Table 3 - Standard Material Combinations

	Body			
	Carbon Steel*	Full Carbon Steel***	316 SS*	Full 316 SS***
	32°F < T < 392°F	-20°F < T < 392°F	-20°F < T < 392°F	-320.8°F < T < 392°F
	(0°C < T < 200°C)	(-29°C < T < 200°C)	(-29°C < T < 200°C)	(-196°C < T < 200°C)
Body	Carbon Steel	Carbon Steel	316 SS	316 SS
Blindhead	Carbon Steel	Carbon Steel	316 SS	316 SS
Gasket	P T F E	P T F E	P T F E	P T F E
Trim				
Seat	316 SS	316 SS	316 SS	316 SS
Disc	See table 6	See table 6	See table 6	See table 6
Plug Stem	316 SS	316 SS	316 SS	316 SS
Guide Bushing	304 SS / 17-4PH	304 SS / 17-4PH	304 SS / Nitronic 60	304 SS / Nitronic 60
Actuator				
Spring Case	Cast Iron	Carbon Steel	Carbon Steel	316 SS
Diaphragm Case	Carbon Steel	Carbon Steel	316 SS	316 SS
Spring	CrV Steel	CrV Steel	CrV Steel	316 SS
Diaphragm	See table 7			

Special constructions are available in LCB, WCC (N.A.C.E.), 316L, 317, Duplex, Superduplex, Monel, Hastelloy B/C

Configurations/Material Availability	
*	Standard - Except Steam Service
**	Steam Service
***	Non Standard - Manufactured on Request

Materials

Table 4 - Rated Cv for All Body Sizes

Trim Number	Body Size									
	1/2" (DN 15)		3/4" (DN 20)		1" (DN 25)		1 1/2" (DN 40)		2" (DN 25)	
1	0.033	0.031	0.033	0.031	0.033	0.031	0.033	0.031	0.033	0.031
5	0.60	0.20	0.60	0.20	0.60	0.20	0.60	0.20	0.60	0.20
8	1.7	0.33	1.7	0.33	1.7	0.33	1.7	0.33	1.7	0.33
10	2.5	0.40	2.5	0.40	2.5	0.40	2.5	0.40	2.5	0.40
12	3.4	0.50	3.4	0.50	3.4	0.50	3.4	0.50	3.4	0.50
16			6.5	0.9	6.5	0.9	7.0	0.9	7.0	0.9
20					8.7 (7.5*)	1.4	9.0 (7.7*)	1.4	9.0 (7.7*)	1.4
35							19 (15*)	3.0	19 (15*)	3.0
45									35 (28*)	5.5

Cv for all body sizes with elastomer diaphragm
 Cv for all body sizes with metal diaphragm

* Reduced Cv for Actuator 100

Table 5 - Temperature Ranges for Disc Elastomers

Material	min		max	
	°C	°F	°C	°F
fluorocarbon (FKM-FPM)*	-10	14	200	392
Polytetrafluoroethylene (PTFE)***	-200	-328	250	482
AISI 316**	-196	-321	455	851

Table 6 - Temperature Ranges for Diaphragms

Material	T min		T max	
	°C	°F	°C	°F
Chloroprene (CR)*	-20	-4	90	194
Fluorocarbon (FKM-FPM) + polyester***	-10	14	150	302
Fluorocarbon (FKM-FPM) + polyarylamide***	-10	14	200	392
Ethylene-Propylene (EPDM)**	-35	-31	150	302
AISI 316**	-196	-320.8	455	851

Special diaphragms are available in NBR (nitrile butadiene, Buna-N or equivalent), HNBR (hydrogenated nitrile), VMQ (silicone), FVMQ (fluorosilicone), TFE/P (Aflas or equivalent)

Configurations/Material Availability	
*	Standard - Except Steam Service
**	Steam Service
***	Non Standard - Manufactured on Request

Materials

Table 7 - Weights - Actuator Sizes 100, 120, 130 & 140

	NPT/GAS	Class 150 RF	PN 16/25/40	Class 300 RF	Class 600 RF
1/2" (DN15)	36.6 lbs (16.6 kg)	36.4 lbs (16.5 kg)	38.6 lbs (17.5 kg)	40.8 lbs (18.5 kg)	47.4 lbs (21.5 kg)
3/4" (DN20)	36.6 lbs (16.6 kg)	37.5 lbs (17.0 kg)	39.7 lbs (18.0 kg)	43.0 lbs (19.5 kg)	49.6 lbs (22.5 kg)
1" (DN25)	36.4 lbs (16.5 kg)	38.6 lbs (17.5 kg)	40.8 lbs (18.5 kg)	44.1 lbs (20.0 kg)	50.7 lbs (23.0 kg)
1 1/2" (DN40)	41.0 lbs (18.6 kg)	44.3 lbs (20.1 kg)	47.4 lbs (21.5 kg)	52.9 lbs (24.0 kg)	59.5 lbs (27.0 kg)
2" (DN50)	40.8 lbs (18.5 kg)	48.5 lbs (22.0 kg)	50.9 lbs (23.1 kg)	58.0 lbs (26.3 kg)	66.1 lbs (30.0 kg)

Table 8 - Weights - Actuator Size 220

	NPT/GAS	Class 150 RF	PN 16/25/40	Class 300 RF	Class 600 RF
1/2" (DN15)	41.0 lbs (18.6 kg)	40.8 lbs (18.5 kg)	43.0 lbs (19.5 kg)	45.2 lbs (20.5 kg)	51.8 lbs (23.5 kg)
3/4" (DN20)	41.0 lbs (18.6 kg)	41.9 lbs (19.0 kg)	44.1 lbs (20.0 kg)	47.4 lbs (21.5 kg)	54.0 lbs (24.5 kg)
1" (DN25)	40.8 lbs (18.5 kg)	43.0 lbs (19.5 kg)	45.2 lbs (20.5 kg)	48.5 lbs (22.0 kg)	57.3 lbs (26.0 kg)
1 1/2" (DN40)	45.4 lbs (20.6 kg)	48.7 lbs (22.1 kg)	51.8 lbs (23.5 kg)	57.3 lbs (26.0 kg)	64.0 lbs (29.0 kg)
2" (DN50)	45.2 lbs (20.5 kg)	52.9 lbs (24.0 kg)	55.3 lbs (25.1 kg)	62.4 lbs (28.3 kg)	68.3 lbs (31.0 kg)

Table 9 - Weights - Actuator Size 360

	NPT/GAS	Class 150 RF	PN 16/25/40	Class 300 RF	Class 600 RF
1/2" (DN15)	73.9 lbs (33.5 kg)	73.6 lbs (33.4 kg)	75.8 lbs (34.4 kg)	78.0 lbs (35.4 kg)	84.6 lbs (38.4 kg)
3/4" (DN20)	73.9 lbs (33.5 kg)	74.7 lbs (33.9 kg)	76.9 lbs (34.9 kg)	80.3 lbs (36.4 kg)	86.9 lbs (39.4 kg)
1" (DN25)	73.6 lbs (33.4 kg)	75.8 lbs (34.4 kg)	78.0 lbs (35.4 kg)	81.4 lbs (36.9 kg)	88.2 lbs (40.0 kg)
1 1/2" (DN40)	78.3 lbs (35.5 kg)	81.6 lbs (37.0 kg)	84.7 lbs (38.4 kg)	92.2 lbs (40.9 kg)	96.8 lbs (43.9 kg)
2" (DN50)	78.0 lbs (35.4 kg)	88.2 lbs (85.8 kg)	88.2 lbs (40.0 kg)	95.2 lbs (43.2 kg)	101.8 lbs (46.2 kg)

Table 10 - Weights - Actuator Size 515

	NPT/GAS	Class 150 RF	PN 16/25/40	Class 300 RF	Class 600 RF
1/2" (DN15)	52.5 lbs (23.8 kg)	52.3 lbs (23.7 kg)	54.5 lbs (24.7 kg)	56.7 lbs (25.7 kg)	63.3 lbs (28.7 kg)
3/4" (DN20)	52.5 lbs (23.8 kg)	53.4 lbs (24.2 kg)	55.6 lbs (25.4 kg)	58.9 lbs (26.7 kg)	65.5 lbs (29.7 kg)
1" (DN25)	52.3 lbs (23.7 kg)	54.5 lbs (24.7 kg)	56.7 lbs (25.7 kg)	60.0 lbs (27.2 kg)	66.6 lbs (30.2 kg)
1 1/2" (DN40)	56.9 lbs (25.8 kg)	60.2 lbs (27.3 kg)	63.3 lbs (28.7 kg)	68.8 lbs (31.2 kg)	75.4 lbs (34.2 kg)
2" (DN50)	56.7 lbs (25.7 kg)	64.4 lbs (29.2 kg)	66.8 lbs (30.3 kg)	73.9 lbs (33.5 kg)	80.5 lbs (36.5 kg)

DISTRIBUTOR

E.P. & S. - FRANCE

24 bis rue de Picpus

75012 PARIS

Tel: +33 (0) 762 682 291

Tel: +33 (0) 650 590 965

ventes@fr-eps.com

E.P. & S. - CAMEROON

Immeuble Carré d'Or

Rue Soppo Priso Côté Chococho, Bonapriso

DOUALA

Tel: +237 6 52 12 70 95

Tel: +33 (0) 782 006 276

ventes@fr-eps.com

Visit our web-site:
www.fr-eps.com



* Trademark of the General Electric Company.
Other company names and product names used in this document are
the registered trademarks or trademarks of their respective owners.

© 2014 General Electric Company. All rights reserved.